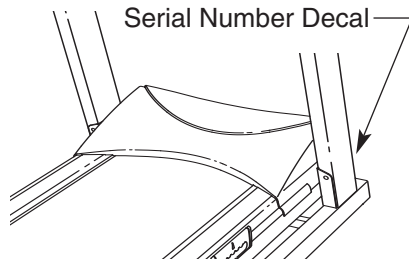


NordicTrack[®] **ELITE 3200**

Model No. NTL21905.1

Serial No. _____

Write the serial number in the space above for future reference.



USER'S MANUAL

QUESTIONS?

As a manufacturer, we are committed to providing complete customer satisfaction. If you have questions, or if parts are damaged or missing, **PLEASE CONTACT OUR CUSTOMER SERVICE DEPARTMENT DIRECTLY.**

CALL TOLL-FREE:

1-888-825-2588

Mon.-Fri. 6 a.m.-6 p.m. MST

Sat. 8 a.m.-5 p.m. MST

ON THE WEB:

www.nordictrackservice.com



CAUTION

Read all precautions and instructions in this manual before using this equipment. Save this manual for future reference.



Visit our website at

www.nordictrack.com

new products, prizes,
fitness tips, and much more!



TABLE OF CONTENTS

IMPORTANT PRECAUTIONS	3
BEFORE YOU BEGIN	6
ASSEMBLY	7
HOW TO USE THE CHEST PULSE SENSOR	12
TREADMILL OPERATION	13
HOW TO FOLD AND MOVE THE TREADMILL	28
TROUBLESHOOTING	30
EXERCISE GUIDELINES	33
PART LIST	34
HOW TO ORDER REPLACEMENT PARTS	35
LIMITED WARRANTY	Back Cover

Note: An EXPLODED DRAWING is attached in the center of this manual.

IMPORTANT PRECAUTIONS

⚠ WARNING: To reduce the risk of burns, fire, electric shock, or injury to persons, read the following important precautions and information before operating the treadmill.

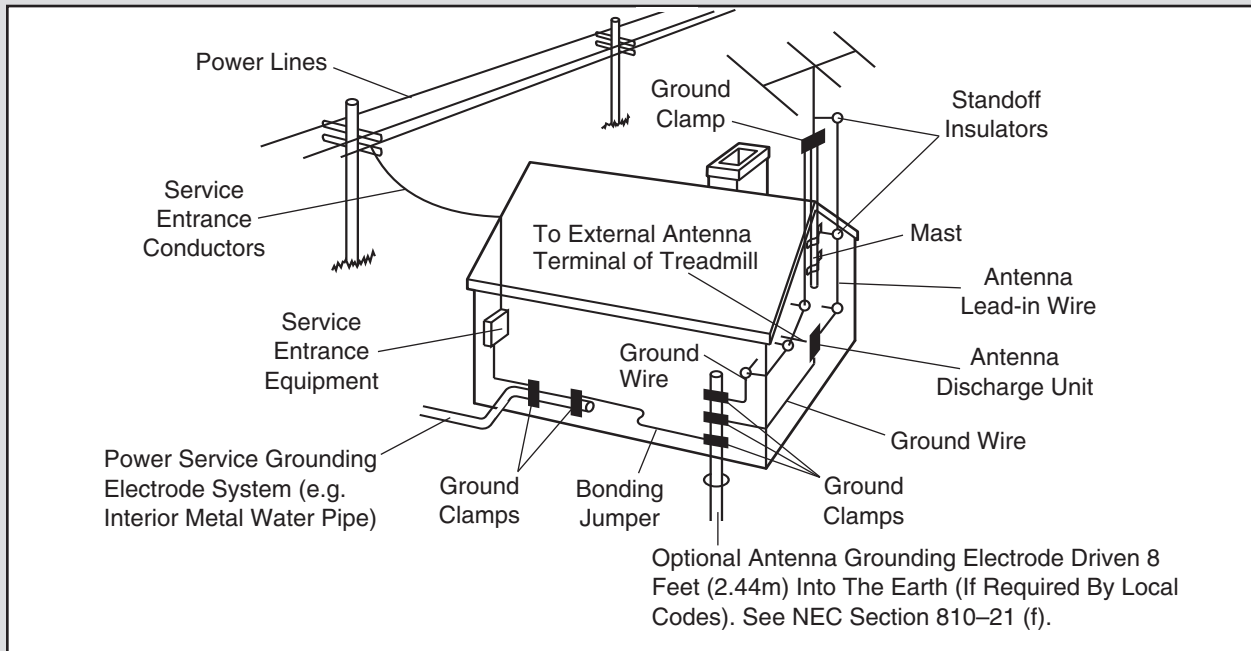
1. It is the responsibility of the owner to ensure that all users of this treadmill are adequately informed of all warnings and precautions.
2. Use the treadmill only as described in this manual.
3. Place the treadmill on a level surface, with at least eight feet of clearance behind it, two feet on each side, and six inches in front. Do not place the treadmill on any surface that blocks air openings. To protect the floor or carpet from damage, place a mat under the treadmill.
4. Keep the treadmill indoors, away from moisture and dust. Do not put the treadmill in a garage or covered patio, or near water.
5. Do not operate the treadmill where aerosol products are used or oxygen is administered.
6. Keep children under the age of 12 and pets away from the treadmill at all times.
7. The treadmill should not be used by persons weighing more than 400 pounds. Never allow more than one person on the treadmill at a time.
8. Wear appropriate exercise clothes when using the treadmill. Do not wear loose clothes that could become caught in the treadmill. Athletic support clothes are recommended for both men and women. *Always wear athletic shoes. Never use the treadmill with bare feet, wearing only stockings, or in sandals.*
9. When connecting the power cord (see page 13), plug the power cord into a surge suppressor (not included) and plug the surge suppressor into a grounded circuit capable of carrying 15 or more amps. No other appliance should be on the same circuit. Do not use an extension cord.
10. Use only a single-outlet surge suppressor that meets all of the specifications described on page 13. To purchase a surge suppressor, see your local NordicTrack dealer or call the toll-free telephone number on the front cover of this manual and order part number 146148, or see your local electronics store.
11. Failure to use a properly functioning surge suppressor could result in damage to the control system of the treadmill. If the control system is damaged, the walking belt may change speed, accelerate, or stop unexpectedly, which may result in a fall and serious injury.
12. Keep the power cord and the surge suppressor away from heated surfaces.
13. Never move the walking belt while the power is turned off. Do not operate the treadmill if the power cord or plug is damaged, or if the treadmill is not working properly. (See TROUBLESHOOTING on page 30 if the treadmill is not working properly.)
14. Read, understand, and test the emergency stop procedure before using the treadmill (see HOW TO TURN ON THE POWER on page 15).
15. Never start the treadmill while you are standing on the walking belt. Always hold the handrails while using the treadmill.
16. The treadmill is capable of high speeds. Adjust the speed in small increments to avoid sudden jumps in speed.
17. The pulse sensors are not medical devices. Various factors, including the user's movement, may affect the accuracy of heart rate readings. The pulse sensors are intended only as an exercise aids in determining heart rate trends in general.
18. Never leave the treadmill unattended while it is running. Always remove the key, unplug the power cord, and move the reset/off circuit breaker to the "off" position when the treadmill is not in use. (See the drawing on page 6 for the location of the circuit breaker.)
19. Do not attempt to raise, lower, or move the treadmill until it is properly assembled. (See ASSEMBLY on page 7, and HOW TO FOLD AND MOVE THE TREADMILL on page 28.) You must be able to safely lift 45 pounds (20 kg) to raise, lower, or move the treadmill.
20. When folding or moving the treadmill, make sure that the storage latch is fully closed.

21. Inspect and properly tighten all parts of the treadmill every three months.
22. Never drop or insert any object into any opening.
23. **DANGER:** Always unplug the power cord immediately after use, before cleaning the treadmill, and before performing the maintenance and adjustment procedures described in this manual. Never remove the motor hood unless instructed to do so by an authorized service representative. Servicing other than the procedures in this manual should be performed by an authorized service representative only.
24. The treadmill is intended for in-home use only. Do not use the treadmill in any commercial, rental, or institutional setting.
25. If an outside antenna or cable system is connected, be sure that the antenna or cable system is grounded to provide some protection against voltage surges and built-up static charges. Section 810 of the National Electrical Code, ANSI/NFPA No. 70-1984, provides information with respect to proper grounding of the mast and supporting structure, grounding of the lead-in wire to an antenna discharge unit, size of grounding conductors, location of antenna discharge unit, connection to grounding electrodes, and requirements for the grounding electrode.
26. An outside antenna system should not be located in the vicinity of overhead power lines or other electric light or power circuits, or where it can fall into such power lines or circuits. When installing an outside antenna system, extreme care should be taken to keep

from touching such power lines or circuits, as contact with them might be fatal.

27. To reduce the risk of electric shock, do not remove the cover or the back of the television. There are no user serviceable parts inside. Refer servicing to qualified service personnel.
28. Upon completion of any service or repairs to the treadmill or the television, ask the service technician to perform safety checks to confirm that the unit is in proper operating condition.
- Use No. 10 AWG (5.3mm²) copper, No. 8 AWG (8.4mm²) aluminum, No. 17 AWG (1.0mm²) copper-clad steel or bronze wire, or larger as a ground wire.
 - Secure an antenna lead-in and ground wires to the house with stand-off insulators spaced from 4 to 6 feet (1.22 to 1.83m) apart.
 - Mount an antenna discharge unit as close as possible to where the lead-in enters the house.
 - Use a jumper wire not smaller than No. 6 AWG (13.3mm²) copper, or the equivalent when a separate antenna-grounding electrode is used. See NEC Section 810-21 (j).

Note to CATV system installer: This reminder is provided to call the CATV system installer's attention to Article 820-40 of the NEC that provides guidelines for proper grounding and, in particular, specifies that the cable ground shall be connected to the grounding system of the building, as close to the point of cable entry as practical.

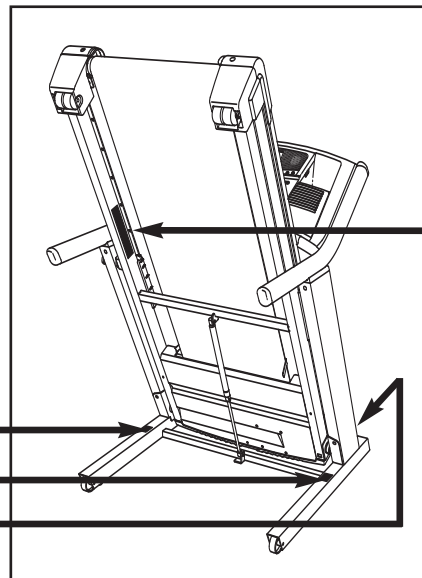


⚠️ WARNING: Before beginning this or any exercise program, consult your physician. This is especially important for persons over the age of 35 or persons with pre-existing health problems. Read all instructions before using. ICON assumes no responsibility for personal injury or property damage sustained by or through the use of this product.

SAVE THESE INSTRUCTIONS

The decals shown here have been placed on the treadmill. If a decal is missing or illegible, call the toll-free telephone number on the front cover of this manual and order a free replacement decal. Apply the decal in the location shown. Note: The decal may not be shown at actual size.

⚠️ CAUTION
KEEP HANDS AND FEET AWAY FROM THIS AREA WHILE THE TREADMILL IS IN OPERATION.



⚠️ WARNING:

Protect yourself and others from risk of serious injury. Read the user's manual and :



- Stand only on the side rails when starting or stopping treadmill.

- Change speed in small increments.

- Hold handrails to prevent falling, and always wear the safety clip while operating treadmill.

- Stop if you feel faint, dizzy, or short of breath.

- Fully engage storage latch before treadmill is moved or stored.

- Reduce incline to its lowest level before folding treadmill into storage position.



- Never allow children on or around treadmill.

- Remove key when not in use.



- Keep clothing, fingers, and hair away from moving belt.

- Never try to adjust or fix the belt while it is moving.

- Always wear athletic shoes while operating treadmill.

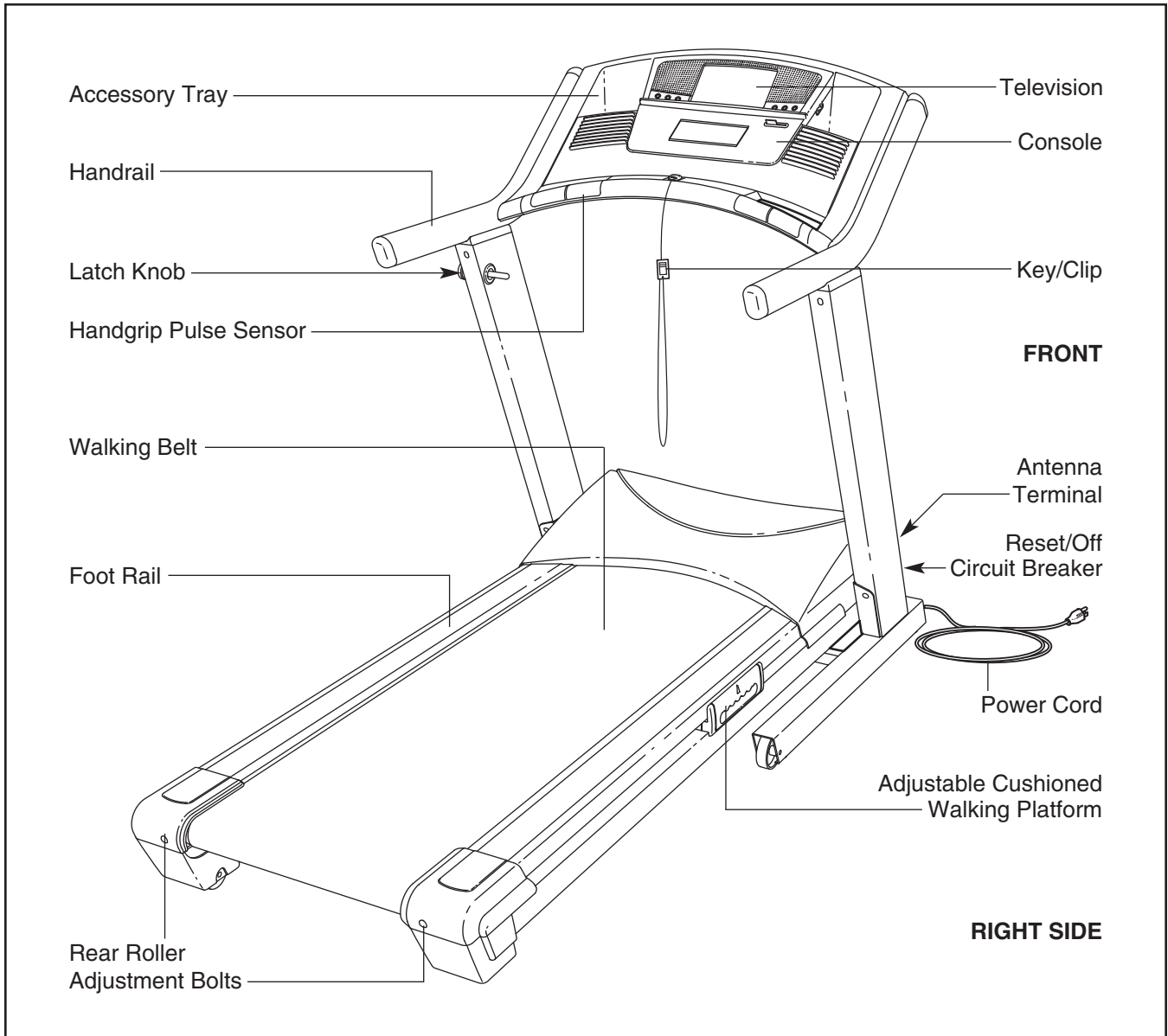
BEFORE YOU BEGIN

Thank you for selecting the revolutionary NordicTrack® ELITE 3200 treadmill. The ELITE 3200 treadmill offers an impressive selection of features designed to make your workouts at home more enjoyable and effective. And when you're not exercising, the unique ELITE 3200 treadmill can be folded up, requiring less than half the floor space of other treadmills.

For your benefit, read this manual carefully before using the treadmill. If you have questions after read-



ing this manual, see the front cover of this manual. To help us assist you, please note the product model number and serial number before calling. The model number of the treadmill is NTL21905.1. The serial number can be found on a decal attached to the treadmill (see the front cover of this manual for the location).

Before reading further, please familiarize yourself with the parts that are labeled in the drawing below.

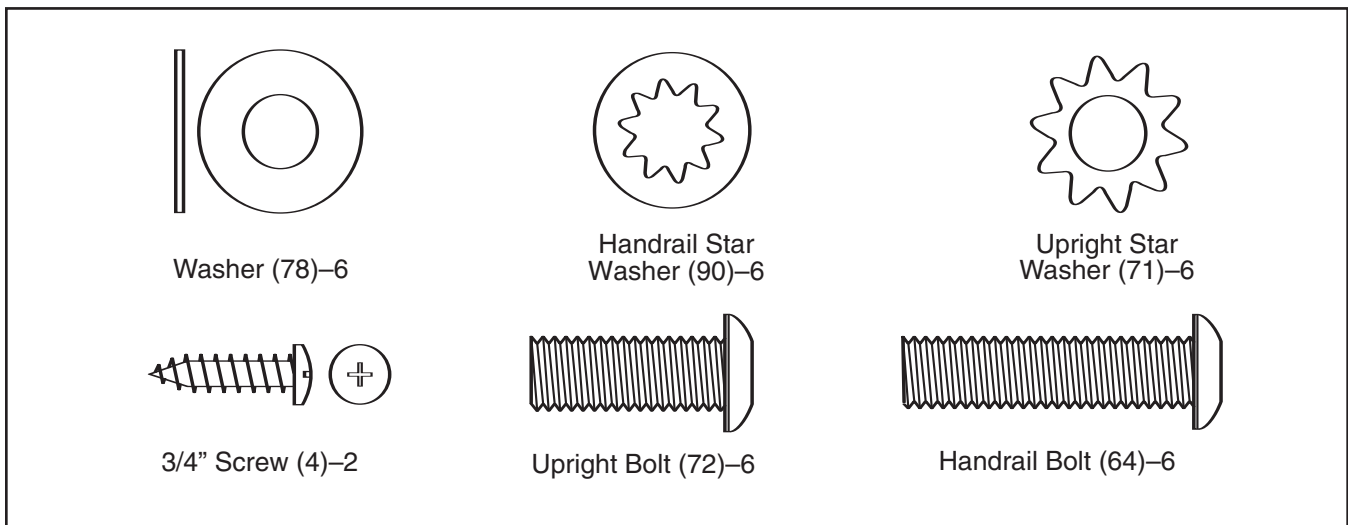


ASSEMBLY

Assembly requires two persons. Set the treadmill in a cleared area and remove all packing materials. Do not dispose of the packing materials until assembly is completed. Note: The underside of the treadmill walking belt is coated with high-performance lubricant. During shipping, a small amount of lubricant may be transferred to the top of the walking belt or the shipping carton. This is a normal condition and does not affect treadmill performance. If there is lubricant on top of the walking belt, simply wipe off the lubricant with a soft cloth and a mild, non-abrasive cleaner.

Assembly requires the included allen wrench  and your own phillips screwdriver . To avoid damaging plastic parts, do not use power tools for assembly.

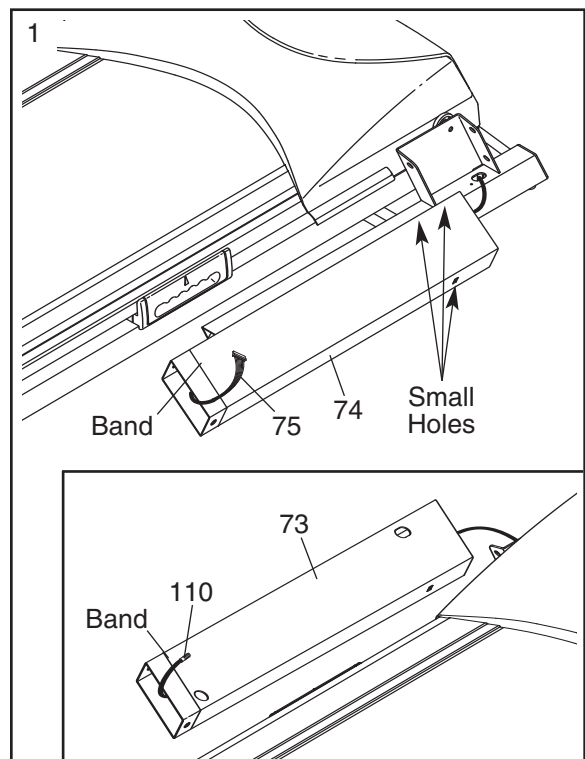
For help identifying assembly hardware, see the drawings below. **Note: If a part is not found in the part bags, check to see if the part has been preattached. To avoid damaging plastic parts, do not use power tools for assembly.**



1. Identify the Right Upright (74), which is marked with a sticker. Place the Right Upright near the right side of the treadmill. Next, identify the lower end of the Right Upright, which has three small holes. Feed the Upright Wire Harness (75) into the lower end of the Right Upright and out of the upper end as shown.

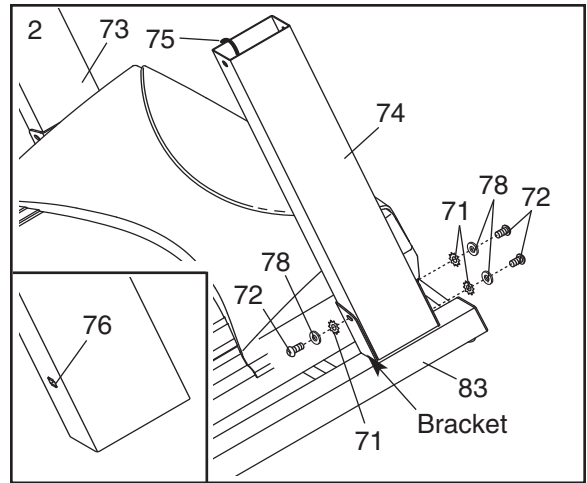
See the inset drawing. Place the Left Upright (73) near the left side of the treadmill. Feed the TV Cable (110) into the lower end of the Left Upright and out of the upper end as shown.

Stretch the included elastic bands around the upper ends of the Uprights (73, 74) to hold the TV Cable (110) and the Upright Wire Harness (75). **Do not remove the elastic bands until you begin step 6.**

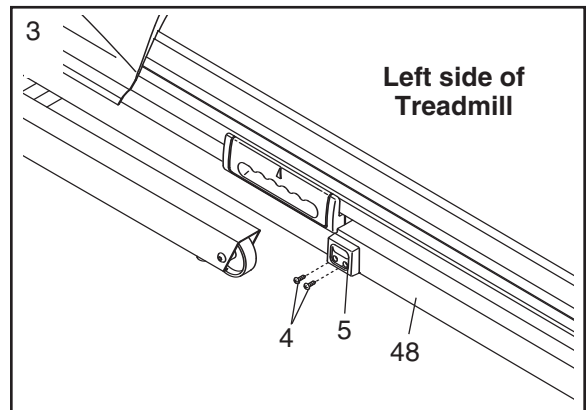


- Insert the Right Upright (74) into the indicated bracket on the Base (83); **be careful not to dislodge the Cage Nuts (76 [see the inset drawing]) from the Right Upright; in addition, be careful not to pinch the Upright Wire Harness (75).** Finger tighten three Upright Bolts (72) with three Washers (78) and three Upright Star Washers (71) into the bracket and the Right Upright. **Do not tighten the Upright Bolts yet.**

Repeat this step with the Left Upright (73).



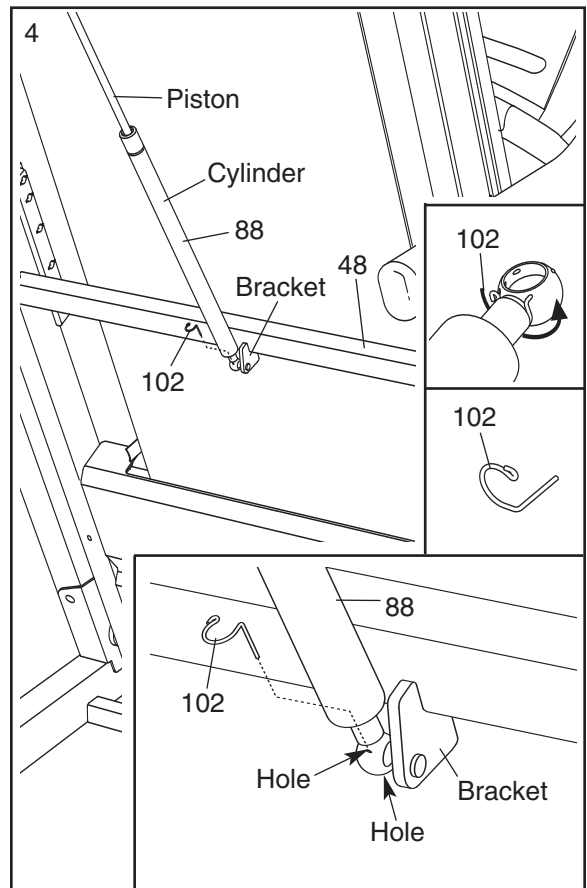
- Attach the Catch (5) to the left side of the Frame (48) with two 3/4" Screws (4).



- With the help of a second person, raise the Frame (48) to a vertical position. **Be careful not to raise the Frame past the vertical position. Have the other person hold the Frame until step 5 is completed.**

Identify the Gas Spring (88). Note that the Gas Spring has a cylinder end and a piston end. See the small inset drawings. Locate the Spring Pin (102) in the cylinder end of the Gas Spring. Using your fingernail or the end of a screwdriver, press on the end of the Spring Pin, rotate the Spring Pin, and then pull the Spring Pin out of the Gas Spring. **Do not lose the Spring Pin.** Note: Extra Spring Pins are included in the literature bag.

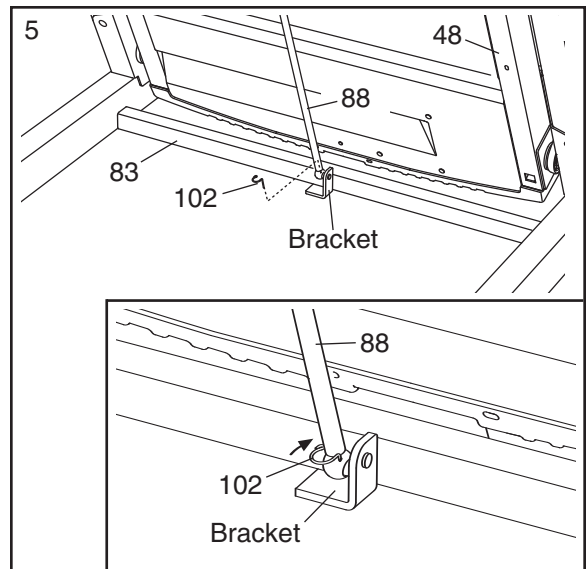
Next, hold the cylinder end of the Gas Spring (88) near the indicated bracket beneath the Frame (48). Press the end of the Gas Spring as far as possible onto the ball on the bracket. See the large inset drawing. Insert the Spring Pin (102) into the indicated small holes in the end of the Gas Spring, and rotate the Spring Pin until it clips onto the Gas Spring.



- Pivot the piston end of the Gas Spring (88) downward. Remove the Spring Pin (102) from the end of the Gas Spring.

Next, hold the end of the Gas Spring (88) near the indicated bracket on the Base (83). Press the end of the Gas Spring as far as possible onto the ball on the bracket. If necessary, pivot the Frame (48) slightly and rotate the Gas Spring to align the end of the Gas Spring with the ball on the bracket. See the inset drawing. Insert the Spring Pin (102) into two of the small holes in the end of the Gas Spring, and rotate the Spring Pin until it clips onto the Gas Spring.

With the help of a second person, lower the Frame (48) back to the floor.

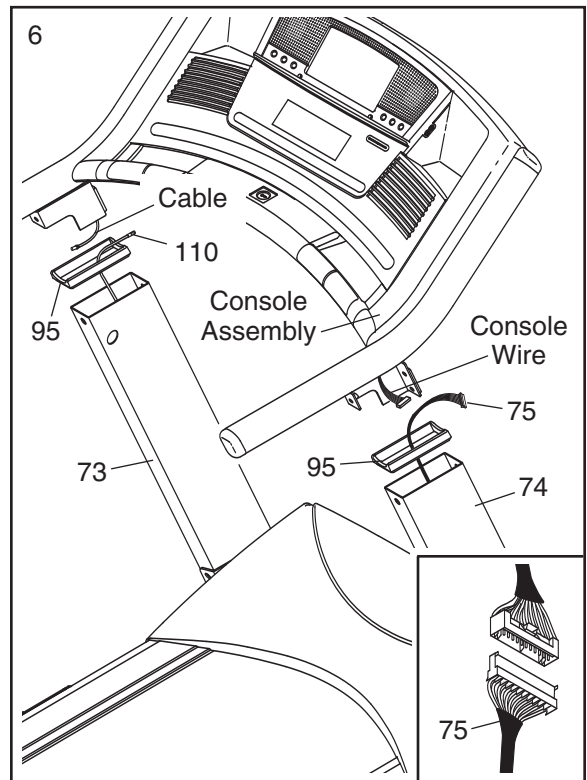


- Remove the elastic bands securing the Upright Wire Harness (75) and the TV Cable (110). Next, insert the Upright Wire Harness and the TV Cable through the Handrail Spacers (95) as shown, and press the Handrail Spacers into the tops of the Uprights (73, 74).

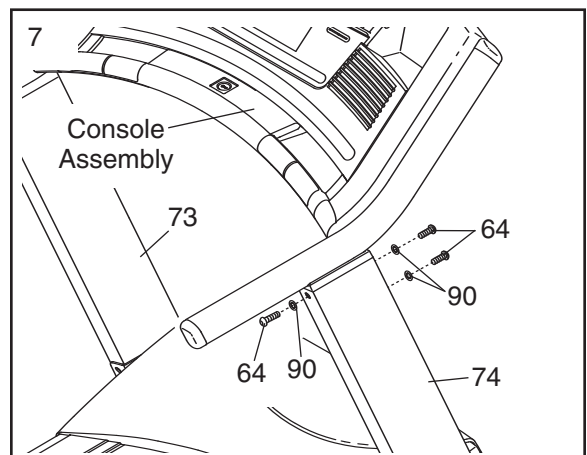
Have two persons hold the console assembly near the Uprights (73, 74). Connect the Upright Wire Harness (75) to the wire harness on the console assembly. **Make sure to connect the connectors properly (see the inset drawing); the connectors should slide together easily and snap into place.** If the connectors do not slide together easily and snap into place, turn one connector and try again. **IF THE CONNECTORS ARE NOT CONNECTED PROPERLY, THE CONSOLE MAY BE DAMAGED WHEN THE POWER IS TURNED ON.**

Next, connect the TV Cable (110) to the cable on the left side of the console assembly.

Insert the Upright Wire Harness (75) and the TV Cable (110) down into the Uprights (73, 74). Next, insert the brackets on the console assembly into the Uprights. **Be careful not to pinch the wires.**

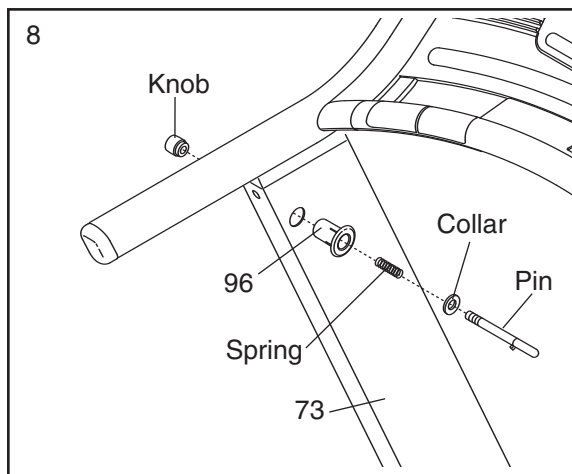


- Finger tighten three Handrail Bolts (64), with three Handrail Star Washers (90), into the Right Upright (74) and the console assembly. Repeat this step with the Left Upright (73). **After all six Handrail Bolts have been started, tighten the four front Handrail Bolts first, and then tighten the other two Handrail Bolts.**

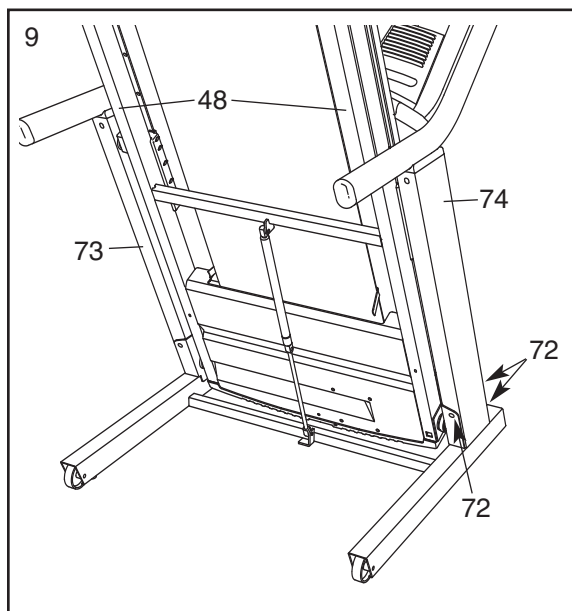


8. Press the Latch Sleeve (96) into the Left Upright (73). If necessary, use a rubber mallet to fully insert the Latch Sleeve.

Remove the knob from the pin. **Make sure that the collar and the spring are on the pin.** Next, insert the pin into the Latch Sleeve (96) and the Left Upright (69), and tighten the knob back onto the pin.



9. Place the treadmill in the storage position (see HOW TO FOLD THE TREADMILL FOR STORAGE on page 28). Next, center the Frame (48) between the Uprights (73, 74). Tighten the Upright Bolts (72) in the lower ends of the Uprights (73, 74).



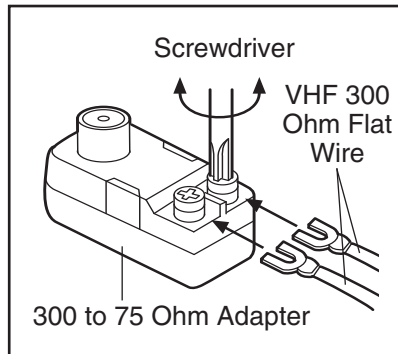
10. **Make sure that all parts are properly tightened before you use the treadmill.** Note: Extra hardware may be included. Keep the included allen wrench in a secure place; the allen wrench is used to adjust the walking belt (see page 31). To protect the floor or carpet, place a mat under the treadmill.

Before the personal television can be used, you must connect an antenna, a 75 ohm CATV cable, or a VCR to the 75 ohm antenna terminal on the treadmill frame. Note: No antenna, cable, or adapter is included.

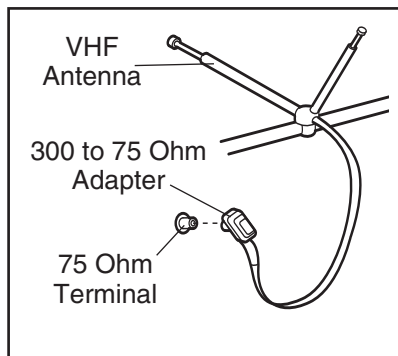
HOW TO CONNECT AN ANTENNA

Indoor Antenna

1. Place a VHF antenna in the desired location. Connect the 300 ohm flat wire from the antenna to a 300 ohm to 75 ohm adapter.

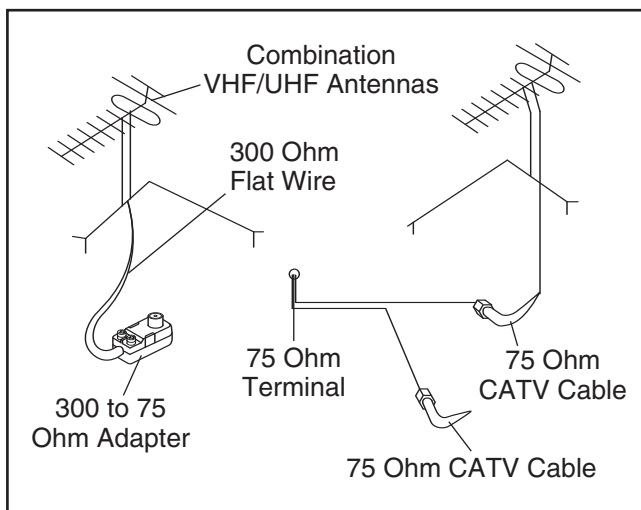


2. Push the 300 ohm to 75 ohm adapter onto the 75 ohm antenna terminal on the treadmill frame near the power cord.



Outdoor Antenna

Note: Outdoor antennas are subject to weathering that can reduce signal quality. Inspect your antenna and the lead-in wiring before connecting the antenna.



300 Ohm Flat Wire

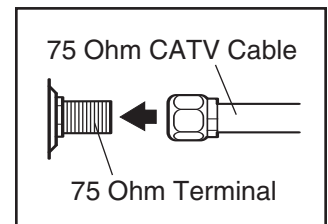
1. See the drawing near the bottom of this page. Connect the 300 ohm flat wire from the antenna to a 300 ohm to 75 ohm adapter.
2. Push the 300 ohm to 75 ohm adapter onto the 75 ohm antenna terminal on the treadmill frame near the power cord.

75 Ohm CATV Cable

1. See the drawing near the bottom of this page. Connect the 75 ohm CATV cable from the antenna to the 75 ohm antenna terminal on the treadmill frame near the power cord.

HOW TO CONNECT A 75 OHM CATV CABLE

1. Connect a 75 ohm CATV cable to the 75 ohm antenna terminal on the treadmill frame near the power cord.



HOW TO CONNECT A VCR

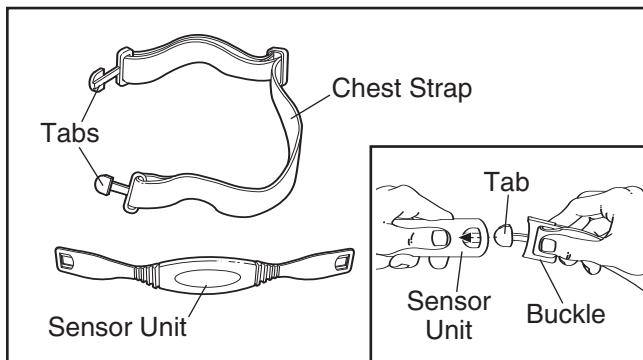
1. Connect one end of a 75 ohm CATV cable to the video output jack on your VCR.
2. Plug in the power cord of your VCR. See your VCR user's manual for proper grounding instructions.
3. Connect the 75 ohm CATV cable to the 75 ohm antenna terminal on the treadmill frame near the power cord.

Note: To operate the television with your VCR, **make sure that channel 3 or 4 is selected.**

HOW TO USE THE CHEST PULSE SENSOR

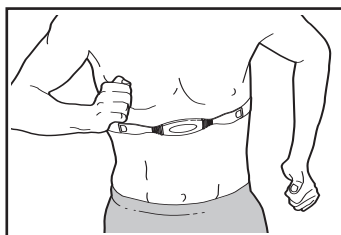
HOW TO PUT ON THE CHEST PULSE SENSOR

The chest pulse sensor consists of two components—the chest strap and the sensor unit.



Insert the tab on one end of the chest strap into the hole in one end of the sensor unit, as shown in the inset drawing above. The tab should be flush with the front of the sensor unit.

Next, wrap the chest pulse sensor around your chest and attach the other end of the chest strap to the sensor unit. Adjust the length of the chest strap, if necessary. The chest pulse



sensor should be under your clothes, tight against your skin, and as high under the pectoral muscles or breasts as is comfortable. Make sure that the logo on the sensor unit is facing forward and is right-side-up.

Pull the sensor unit away from your body a few inches and locate the two electrode areas on the inner side (the electrode areas are covered by shallow ridges). Using saline solution such as saliva or contact lens solution, wet both electrode areas. Return the sensor unit to a position against your chest.

CHEST PULSE SENSOR CARE AND MAINTENANCE

- Thoroughly dry the chest pulse sensor after each use. The chest pulse sensor is activated when the electrode areas are wetted and the heart rate monitor is put on; the chest pulse sensor shuts off when it is removed and the electrode areas are dried. If the chest pulse sensor is not dried after each use, it may remain activated longer than necessary, draining the battery prematurely.

- Store the chest pulse sensor in a warm, dry place. Do not store the chest pulse sensor in a plastic bag or other container that may trap moisture.
- Do not expose the chest pulse sensor to direct sunlight for extended periods of time; do not expose it to temperatures above 122° Fahrenheit (50° Celsius) or below 14° Fahrenheit (-10° Celsius).
- Do not excessively bend or stretch the sensor unit when using or storing the chest pulse sensor.
- Clean the sensor unit using a damp cloth—never use alcohol, abrasives, or chemicals. The chest strap may be hand washed and air dried.

CHEST PULSE SENSOR TROUBLESHOOTING

The instructions on the following pages explain how the chest pulse sensor is used with the console. If the chest pulse sensor does not function properly, try the steps below.

- Make sure that you are wearing the chest pulse sensor as described at the left. Note: If the chest pulse sensor does not function when positioned as described, move it slightly lower or higher on your chest.
- Use saline solution such as saliva or contact lens solution to wet the two electrode areas on the sensor unit. If heart rate readings do not appear until you begin perspiring, rewet the electrode areas.
- As you walk or run on the treadmill, position yourself near the center of the walking belt. **For the console to display heart rate readings, the user must be within arm's length of the console.**
- The chest pulse sensor is designed to work with people who have normal heart rhythms. Heart rate reading problems may be caused by medical conditions such as premature ventricular contractions (pvc's), tachycardia bursts, and arrhythmia.
- The operation of the chest pulse sensor can be affected by magnetic interference caused by high power lines or other sources. If it is suspected that this is a problem, try relocating the treadmill.
- The CR2032 battery may need to be replaced (see page 32).

TREADMILL OPERATION

THE PRE-LUBRICATED WALKING BELT

Your treadmill features a walking belt coated with high-performance lubricant. **IMPORTANT: Never apply silicone spray or other substances to the walking belt or the walking platform. Such substances will deteriorate the walking belt and cause excessive wear.**

HOW TO PLUG IN THE POWER CORD

⚠ DANGER: Improper connection of the equipment-grounding conductor can result in an increased risk of electric shock. Check with a qualified electrician or serviceman if you are in doubt as to whether the product is properly grounded. Do not modify the plug provided with the product—if it will not fit the outlet, have a proper outlet installed by a qualified electrician.

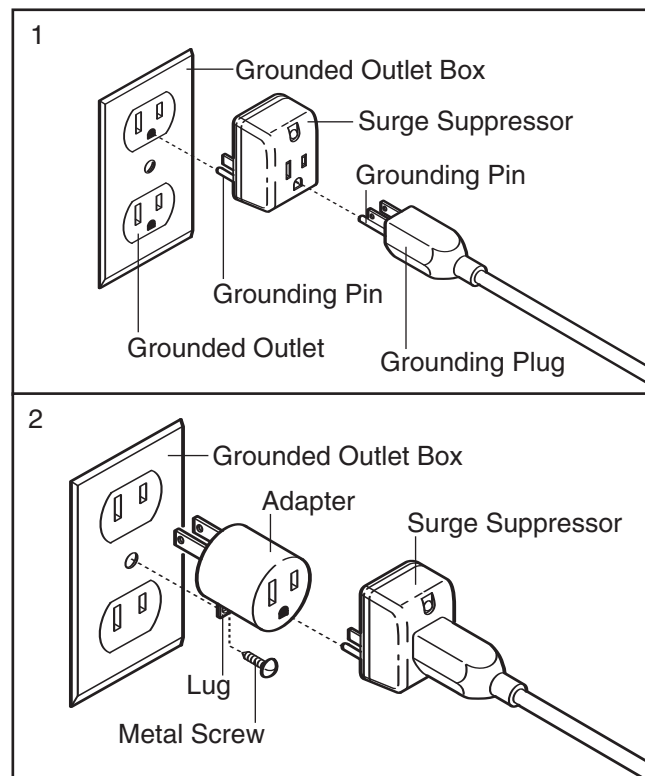
Your treadmill, like any other type of sophisticated electronic equipment, can be seriously damaged by sudden voltage changes in your home's power. Voltage surges, spikes, and noise interference can result from weather conditions or from other appliances being turned on or off. **To decrease the possibility of your treadmill being damaged, always use a surge suppressor with your treadmill (see drawing 1 at the right).** To purchase a surge suppressor, see your local NordicTrack dealer or call the toll-free telephone number on the front cover of this manual and order part number 146148, or see your local electronics store.

Use only a single-outlet surge suppressor that is UL 1449 listed as a transient voltage surge suppressor (TVSS). The surge suppressor must have a UL suppressed voltage rating of 400 volts or less and a minimum surge dissipation of 450 joules. The surge suppressor must be electrically rated for 120 volts AC and 15 amps. There must be a monitoring light on the surge suppressor to indicate whether it is functioning properly. Failure to use a properly functioning surge suppressor could result in damage to the control system of the treadmill. If the control system is damaged, the walking belt may change speed, accelerate, or stop unexpectedly, which may result in a fall and serious injury.

This product must be grounded. If it should malfunction or break down, grounding provides a path of least resistance for electric current to reduce the risk of elec-

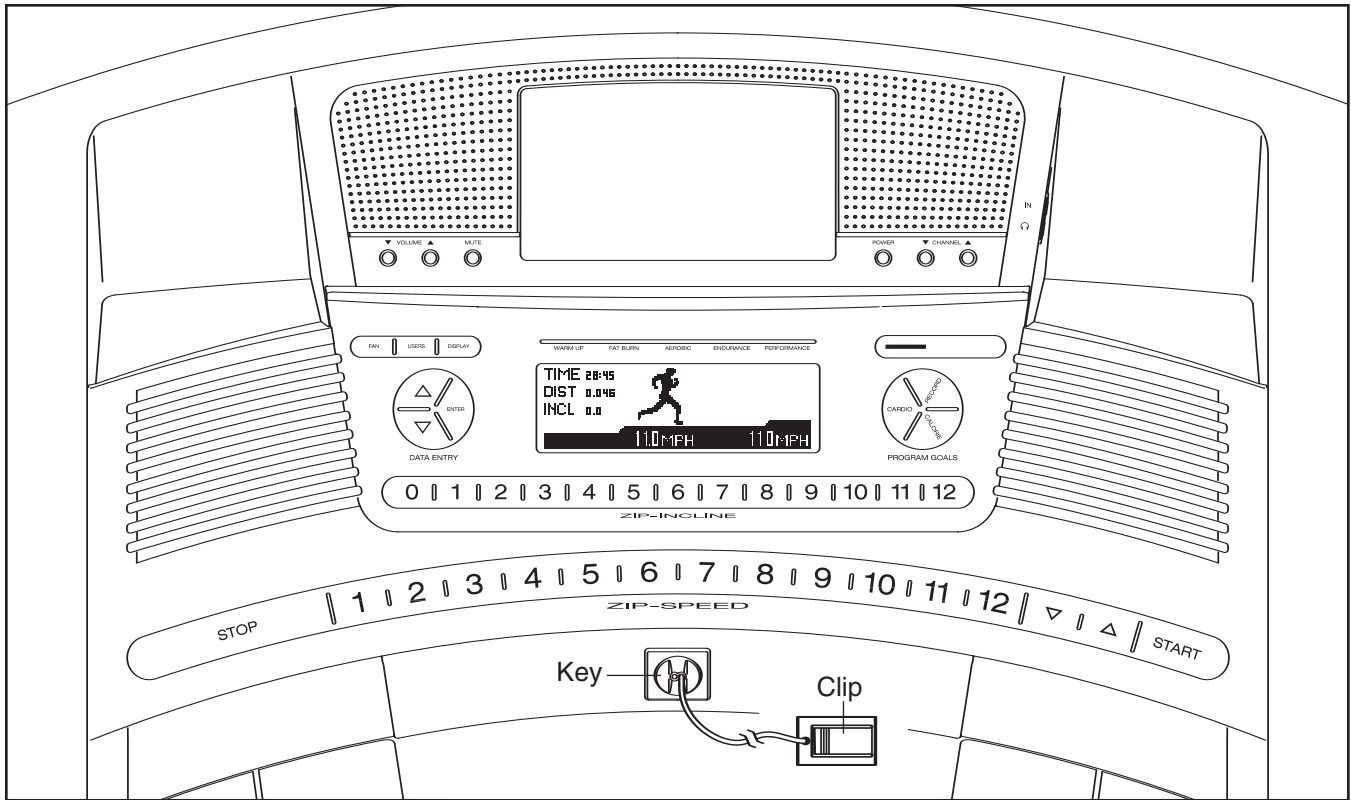
tric shock. This product is equipped with a cord having an equipment-grounding conductor and a grounding plug. **Plug the power cord into a surge suppressor, and plug the surge suppressor into an appropriate outlet that is properly installed and grounded in accordance with all local codes and ordinances. Important: The treadmill is not compatible with GFCI-equipped outlets.**

This product is for use on a nominal 120-volt circuit, and has a grounding plug that looks like the plug illustrated in drawing 1 below. A temporary adapter that looks like the adapter illustrated in drawing 2 may be used to connect the surge suppressor to a 2-pole receptacle as shown in drawing 2 if a properly grounded outlet is not available.



The temporary adapter should be used only until a properly grounded outlet (drawing 1) can be installed by a qualified electrician.

The green-colored rigid ear, lug, or the like extending from the adapter must be connected to a permanent ground such as a properly grounded outlet box cover. Whenever the adapter is used it must be held in place by a metal screw. **Some 2-pole receptacle outlet box covers are not grounded. Contact a qualified electrician to determine if the outlet box cover is grounded before using an adapter.**



FEATURES OF THE CONSOLE

The treadmill console offers an impressive array of features designed to make your workouts more effective and enjoyable. When the manual mode of the console is selected, the speed and incline of the treadmill can be changed with the touch of a button. As you exercise, the console will display continuous exercise feedback. You can even measure your heart rate using the handgrip pulse sensor or the chest pulse sensor.

In addition, the console features twenty-five Cardio programs and four Calorie programs. Each program automatically controls the speed and incline of the treadmill as it guides you through an effective workout. You can also select either of two Distance programs to train for long-distance runs. The console also offers four Pulse programs that control the speed and incline of the treadmill to help you keep your heart rate near target heart rate settings. You can even create your own Record programs and save them for future use.

The console also features the new iFIT SD system. The iFIT SD system enables the console to accept iFIT Cards containing workout programs designed to help you achieve specific fitness goals. For example, lose unwanted pounds with the 8-week Weight Loss pro-

gram, or train for a long-distance run with the Marathon program. iFIT programs automatically control the treadmill while the voice of a personal trainer coaches you and motivates you through every step of your workout. One iFIT Card with three new programs is included. Additional iFIT Cards are available separately. **To purchase iFIT Cards at any time, go to www.iFIT.com or call the toll-free telephone number on the front cover of this manual. iFIT Cards are also available at select stores.**

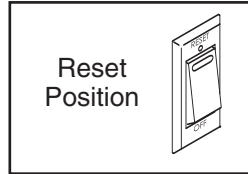
To turn on the power, follow the steps on page 15. To personalize console settings, see page 15. To use the manual mode, see page 17. To use a Cardio program, see page 19. To use a Calorie program, see page 20. To use a Distance program, see page 21. To create and use a Record program, see pages 21 and 22. To use a Pulse program, see page 23. To use an iFIT card, see page 25.

Note: If there is a sheet of clear plastic on the console, peel off the plastic. To prevent damage to the walking platform, wear clean athletic shoes while using the treadmill. The first time the treadmill is used, observe the alignment of the walking belt, and center the walking belt if necessary (see page 31).

HOW TO TURN ON THE POWER

IMPORTANT: If the treadmill has been exposed to cold temperatures, allow it to warm to room temperature before turning on the power. If you do not do this, the console displays or other electrical components may become damaged.

- 1 Plug in the power cord (see page 13). Next, locate the reset/off circuit breaker on the treadmill frame near the power cord. Make sure that the circuit breaker is in the reset position.



- 2 Stand on the foot rails of the treadmill. Find the clip attached to the key (see the drawing on page 14), and slide the clip securely onto the waistband of your clothes. Next, insert the key into the console. After a moment, the display will light.
Important: In an emergency situation, the key can be pulled from the console, causing the walking belt to slow to a stop. Test the clip by carefully taking a few steps backward; if the key is not pulled from the console, adjust the position of the clip.

HOW TO PERSONALIZE CONSOLE SETTINGS

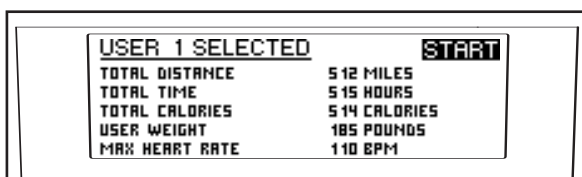
The console features a users mode that allows you to designate yourself as User 1 or User 2, view your workout history, and enter user information before you begin exercising.

The console also features a settings mode that allows you to select a system of measurement for the console, turn on and turn off the demo mode, enter an audio trainer setting, adjust the contrast settings of the console, and turn on and turn off the welcome screen.

Follow the steps below to personalize console settings.

- 1 **Select the users mode.**

To select the users mode, press the Users button. The console can keep track of workout history and save information for two different users.



When the Users button is pressed, the words "User 1 Selected" or "User 2 Selected" will appear in the display. To identify yourself as User 1 or User 2, press the Users button once or twice.

Important: To highlight options within the menu, press the Data Entry increase and decrease buttons.

- 2 **View your workout history.**

The display will show the total number of miles or kilometers that the walking belt has moved, the total number of hours that the treadmill has been used, and the total number of calories that the user has burned.

To reset any of the totals, first highlight the total that you want to reset and press the Enter button. Then, highlight NO or YES and press the Enter button.

- 3 **Enter user information.**

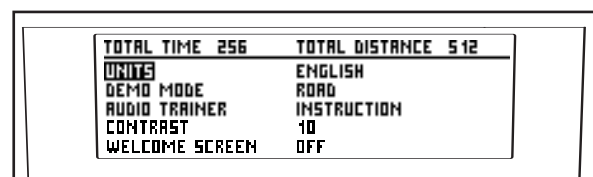
Highlight the words USER WEIGHT and then press the Enter button. Next, press the Data Entry increase and decrease buttons to enter your weight. Then, press the Enter button.

If you want to enter a maximum target heart rate (see HOW TO USE A PULSE PROGRAM on page 23), first highlight MAX. HEART RATE and press the Enter button. Next, press the Data Entry increase and decrease buttons to enter a maximum target heart rate. Then, press the Enter button.

To exit the users mode, highlight START and then press the Enter button.

- 4 **Select the settings mode.**

To select the settings mode, first remove the key from the console. Then, hold down the Stop button while reinserting the key into the console.



When the settings mode is selected, the display will show the word ENGLISH or METRIC to indicate which system of measurement is selected. To change the system of measurement, first highlight UNITS and press the Enter button. Next, press the Data Entry increase or decrease button to select the desired system of measurement. Then, press the Enter button.

TOTAL TIME 256	TOTAL DISTANCE 512
UNITS	ENGLISH
DEMO MODE	ROAD
AUDIO TRAINER	INSTRUCTION
CONTRAST	10
WELCOME SCREEN	OFF

The display will also show the words DEMO MODE and the current setting: OFF, LOGO, ROAD, or PROGRAMS. The “demo mode” can be used while the treadmill is displayed in a store. While the demo mode is selected, the power cord can be plugged in, the key can be removed from the console, and the display will remain on. The console buttons will not function. To select a demo mode, highlight DEMO MODE and then press the Enter button. Next, press the Data Entry increase or decrease button to highlight OFF (to turn off the demo mode), LOGO (to display a logo), ROAD (to display an animation of a runner on a road), or PROGRAMS (to display previews of various programs). Then, press the Enter button.

You can select an audio setting if desired. When you use an iFIT Card, a personal trainer will guide you through your workouts and instruct you how

to purchase more iFIT Cards if INSTRUCTION is selected as your audio setting. If you select the ON setting, a personal trainer will simply guide you through your iFIT workouts. If you select OFF, you will hear no audio guidance during your workouts. To change the audio setting, first highlight AUDIO TRAINER and press the Enter button. Next, press the Data Entry increase or decrease button to select the desired audio setting. Then, press the Enter button.

The contrast of the display can also be adjusted. To adjust the contrast of the display, first highlight CONTRAST and press the Enter button. Next, press the increase and decrease buttons to select a contrast setting. Then, press the Enter button.

The console can also display a welcome message each time you insert the key into the console. Highlight WELCOME SCREEN and press the Enter button. Then, press the Data Entry increase or decrease button to select ON or OFF and press the Enter button.

Note: If you press the Power button while you are in the settings mode, the TV settings mode will be selected (see HOW TO USE THE TV SETTINGS MODE on page 26).

5 When you are finished using the settings mode, remove the key.

To exit the settings mode at any time, remove the key from the console.

HOW TO USE THE MANUAL MODE

1 Insert the key into the console.

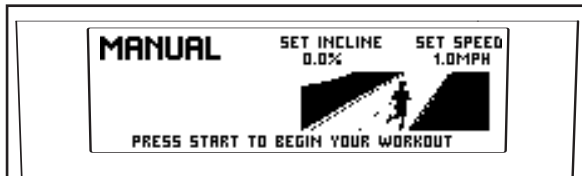
See HOW TO TURN ON THE POWER on page 15.

2 Personalize console settings if desired.

See HOW TO PERSONALIZE CONSOLE SETTINGS on page 15.

3 Select the manual mode.

Each time the key is inserted, the manual mode will be selected. If you have selected a program, press any of the program buttons repeatedly until the word MANUAL appears in the display.



4 Start the walking belt and adjust the speed.

To start the walking belt, press the Start button, the Speed increase button next to the Start button, or one of the twelve Zip-Speed buttons.

If the Start button or the Speed increase button is pressed, the walking belt will begin to move at 1 mph. As you exercise, change the speed of the walking belt as desired by pressing the Speed increase and decrease buttons next to the Start button. Each time a button is pressed, the speed setting will change by 0.1 mph; if a button is held down, the speed setting will change in increments of 0.5 mph. If one of the twelve Zip-Speed buttons is pressed, the walking belt will gradually increase in speed until it reaches the selected speed setting.

To stop the walking belt, press the Stop button. To restart the walking belt, press the Start button, the Speed increase button, or one of the twelve Zip-Speed buttons.

5 Change the incline of the treadmill as desired.

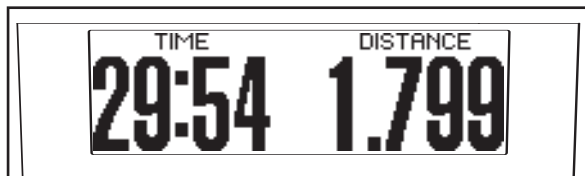
To change the incline of the treadmill, press one of the twelve Zip-Incline buttons. Each time one of the buttons is pressed, the incline will gradually increase until it reaches the selected incline setting.

6 Select a display mode and monitor your progress with the display and the intensity level bar.

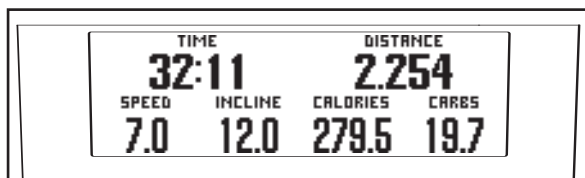
As you walk or run on the treadmill, the display can show the following workout information:

- The elapsed time.
- The distance that you have walked or run.
- The speed of the walking belt.
- The incline level of the treadmill.
- The approximate number of calories you have burned.
- The approximate number of grams of carbs you have burned.
- Your walking or running pace, in minutes per mile or minutes per kilometer.
- Your heart rate. Note: Your heart rate can be displayed only while you use the handgrip pulse sensor or the chest pulse sensor.
- In addition, the display can show a “workout history”—a profile that represents the speed settings that you select during your workout. At the beginning of each minute of your workout, an additional column will appear in the profile; as you increase or decrease the speed setting, the height of the column will increase or decrease.
- The display can also show an animation of a runner on a road. As you increase or decrease the speed setting, the runner will speed up or slow down.

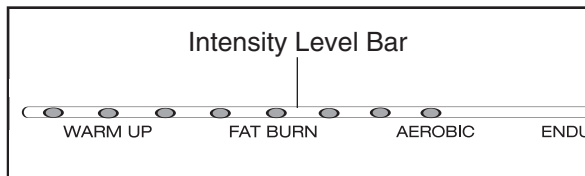
When the manual mode is selected, the console offers eight display modes. The display mode that you select will determine which workout information is shown. For example, the first display mode shows only the elapsed time and the distance that you have walked or run. Press the Display button repeatedly to select the desired display mode.



Note: Regardless of which display mode you select, the speed or incline setting will appear in the display for a few seconds each time you change the setting. In addition, your heart rate will appear in the display for up to 40 seconds each time you use the handgrip pulse sensor or put on the chest pulse sensor. Note: If you select the display mode shown below, your heart rate will be shown in place of the approximate number of grams of carbs you have burned.



As you exercise, the intensity level bar will indicate the approximate intensity level of your exercise. For example, if eight of the indicators in the bar are lit, the bar shows that your intensity level is ideal for aerobic exercise.

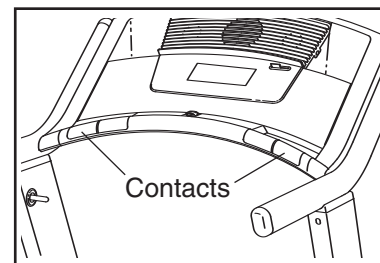


To reset the console, press the Stop button, remove the key, and then reinsert the key.

7 Measure your heart rate if desired.

Note: If you use the handgrip pulse sensor and the chest pulse sensor at the same time, the display will not show your heart rate accurately.

To use the handgrip pulse sensor, first remove the sheets of clear plastic from the metal contacts on the handgrip pulse sensor.



Next, **stand on the foot rails** and hold the metal contacts—**avoid moving your hands**. When your pulse is detected, your heart rate will appear in the display. **For the most accurate heart rate reading, continue to hold the contacts for about 15 seconds.**

8 Turn on the fans if desired.

To turn on the fans at low speed, press the Fan button. To turn on the fans at medium speed, press the button a second time. To turn on the fans at high speed, press the button a third time. To select the auto fan mode, press the button a fourth time. When the auto fan mode is selected, the speed of the fans will automatically increase or decrease as the speed of the walking belt increases or decreases.

To turn off the fans, press the Fan button again. Note: If the fans are on when the walking belt stops, the fans will automatically turn off after a few minutes.

9 When you are finished exercising, remove the key.

Step onto the foot rails, press the Stop button, and adjust the incline of the treadmill to the lowest setting. **The incline must be at the lowest setting when the treadmill is folded to the storage position or the treadmill will become damaged.** Next, remove the key from the console and put it in a secure place.

When you are finished using the treadmill, switch the reset/off circuit breaker to the “off” position and unplug the power cord.

HOW TO USE A CARDIO PROGRAM

1 Insert the key into the console.

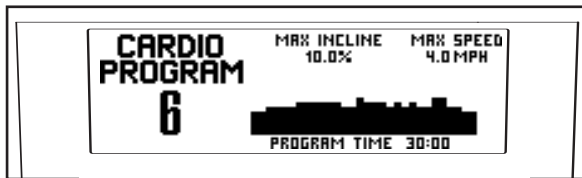
See HOW TO TURN ON THE POWER on page 15.

2 Personalize console settings if desired.

See HOW TO PERSONALIZE CONSOLE SETTINGS on page 15.

3 Select a Cardio program.

To select a Cardio program, press the Cardio button repeatedly.



When a Cardio program is selected, the display will show the name of the program, the maximum incline setting of the program, the maximum speed setting, and the number of minutes in the program. In addition, a profile of the speed settings of the program will appear in the display.

Each Cardio program is divided into several one-minute segments. One speed setting and one incline setting are programmed for each segment. Note: The same speed setting and/or incline setting may be programmed for two or more consecutive segments.

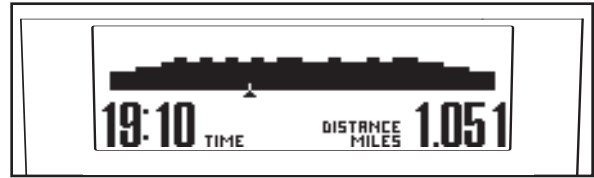
4 Press the Start button to start the program.

A moment after the button is pressed, the treadmill will automatically adjust to the first speed and incline settings of the program. Hold the handrails and begin walking.

5 Select a display mode and monitor your progress with the display.

When a Cardio program is selected, the console offers three display modes. Press the Display button repeatedly to select the desired display mode.

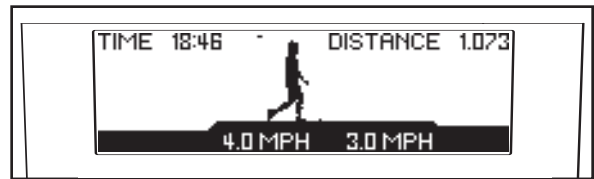
If the first or second display mode is selected, a profile of the speed settings of the program will appear in the display. A small arrow below the profile will indicate your progress.



At the end of the first one-minute segment of the program, a series of tones will sound. If a different speed setting and/or incline setting is programmed for the second segment, the speed setting and/or incline setting will appear at the top of the display for a moment to alert you. The treadmill will then automatically adjust to the speed and incline settings for the second segment.

The program will continue in this way until the small arrow reaches the right end of the profile. The walking belt will then slow to a stop.

If the third display mode is selected, the display will show an animation of a runner.



At the end of the first one-minute segment of the program, a series of tones will sound. If a different speed setting is programmed for the second segment, the speed setting will move along the bottom of the display to alert you. If a different incline setting is programmed, the incline setting will appear at the top of the display for a moment. The treadmill will then automatically adjust to the speed and incline settings for the second segment.

The program will continue in this way until the last segment ends. The walking belt will then slow to a stop.

If the speed or incline setting for the current segment is too high or too low, you can override the setting by pressing the Speed or Incline buttons; however, when the next segment begins, **the treadmill will automatically adjust to the speed and incline settings for the next segment.**

To stop the program at any time, press the Stop button. To restart the program, press the Start button. The walking belt will begin to move at 1 mph. When the next segment of the program begins, the treadmill will automatically adjust to the speed and incline settings for the next segment.

6 Measure your heart rate if desired.

See step 7 on page 18.

7 Turn on the fans if desired.

See step 8 on page 18.

8 When you are finished exercising, remove the key from the console.

When the program ends, **make sure that the incline of the treadmill is at the lowest setting.** Next, remove the key from the console and put it in a secure place.

When you are finished using the treadmill, switch the reset/off circuit breaker to the “off” position and unplug the power cord.

HOW TO USE A CALORIE PROGRAM

1 Insert the key into the console.

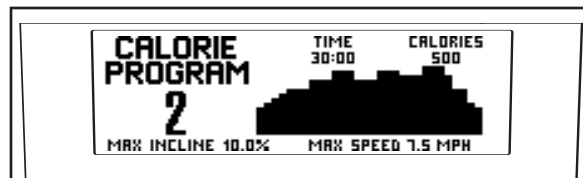
See HOW TO TURN ON THE POWER on page 15.

2 Personalize console settings if desired.

See HOW TO PERSONALIZE CONSOLE SETTINGS on page 15. Note: You must enter your weight (see step 3 on page 15) for the console to most accurately calculate the number of calories to be burned during your workout.

3 Select a Calorie program.

To select a Calorie program, press the Calorie button one, two, three, or four times.



When a Calorie program is selected, the display will show the name of the program, the number of minutes in the program, the calorie goal (the number of calories to be burned during the program), the maximum incline setting of the program, and the maximum speed setting. In addition, a profile of the speed settings of the program will appear in the display.

4 Press the Start button to start the program.

A moment after the button is pressed, the walking belt will begin to move at 3 mph. Hold the handrails and begin walking.

If the speed or incline setting for the current segment is too high or too low, you can override the setting by pressing the Speed or Incline buttons; however, when the next segment begins, **the treadmill will automatically adjust to the speed and incline settings for the next segment.**

5 Select a display mode and follow your progress with the display.

The Calorie program will function in the same way as a Cardio program (see step 5 on page 19), except that while you exercise, the display will show the number of calories still to be burned.

The program will end when you reach your calorie goal or when the small arrow reaches the right end of the profile, whichever occurs first. The walking belt will then slow to a stop.

6 Measure your heart rate if desired.

See step 7 on page 18.

7 Turn on the fans if desired.

See step 8 on page 18.

8 When you are finished exercising, remove the key from the console.

See step 8 at the left.

HOW TO USE A DISTANCE PROGRAM

1 Insert the key into the console.

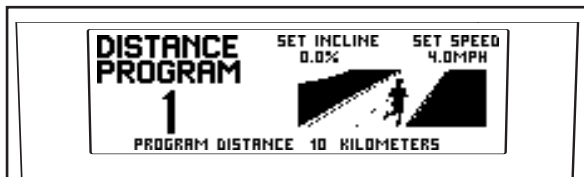
See HOW TO TURN ON THE POWER on page 15.

2 Personalize console settings if desired.

See HOW TO PERSONALIZE CONSOLE SETTINGS on page 15.

3 Select a Distance program.

To select a Distance program, press the Calorie button repeatedly until you reach the Distance programs.



When a Distance program is selected, the display will show the name of the program and the distance goal. Distance Program 1 helps you train for a 10-kilometer run and Distance Program 2 helps you train for a 26-mile marathon.

4 Press the start button and adjust the speed.

See step 4 on page 17.

5 Change the incline of the treadmill as desired.

See step 5 on page 17.

6 Select a display mode and follow your progress with the display.

The Distance program will function in the same way as the manual mode, except that while you exercise, the display will show the distance still to be walked or run.

The program will end when you reach your distance goal. The walking belt will then slow to a stop. To stop the program at any time, press the Stop button. To restart the program, press the Start button.

7 Measure your heart rate if desired.

See step 7 on page 18.

8 Turn on the fans if desired.

See step 8 on page 18.

9 When you are finished exercising, remove the key from the console.

See step 8 on page 20.

HOW TO CREATE A RECORD PROGRAM

1 Insert the key into the console.

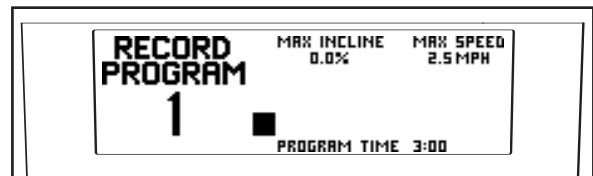
See HOW TO TURN ON THE POWER on page 15.

2 Personalize console settings if desired.

See HOW TO PERSONALIZE CONSOLE SETTINGS on page 15.

3 Select a Record program.

To select a Record program, press the Record button once or twice.



If the Record program has not yet been defined, the display will show a program time of three minutes. If the program time is more than three minutes, see HOW TO USE A RECORD PROGRAM on page 22.

Each Record program is divided into one-minute segments. One speed setting and one incline setting can be programmed for each segment.

4 Press the Start button to start the program.

A moment after the button is pressed, the walking belt will begin to move. Hold the handrails and begin walking.

5 Select a display mode and program the desired speed and incline settings.

When a Record program is selected, the console offers three display modes. Press the Display button repeatedly to select the desired display mode.

To program a speed setting and an incline setting for the first one-minute segment of the program, simply adjust the speed and incline of the treadmill as desired by pressing the Speed and Incline buttons.

When the first segment ends, a series of tones will sound and the current speed setting and the current incline setting will be saved in memory.

Program a speed setting and an incline setting for the second segment as described above. Continue programming speed and incline settings for up to 30 segments.

When you are finished with your workout, press the Stop button twice. The Record program will then be saved in memory.

6 When you are finished exercising, remove the key from the console.

See step 8 on page 20.

HOW TO USE A RECORD PROGRAM

1 Insert the key into the console.

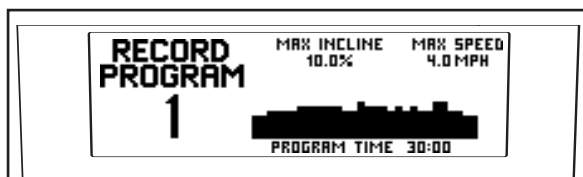
See HOW TO TURN ON THE POWER on page 15.

2 Personalize console settings if desired.

See HOW TO PERSONALIZE CONSOLE SETTINGS on page 15.

3 Select a Record program.

To select a Record program, press the Record button once or twice.



When a Record program is selected, the display will show the name of the program, the maximum incline setting of the program, and the maximum speed setting. In addition, a profile of the speed settings of the program will appear in the display.

Note: If the display shows a program time of three minutes, see HOW TO CREATE A RECORD PROGRAM on page 21.

Each Record program is divided into one-minute segments. One speed setting and one incline setting are programmed for each segment.

4 Press the Start button to start the program.

A moment after the button is pressed, the treadmill will automatically adjust to the first speed and incline settings that you programmed previously. Hold the handrails and begin walking.

5 Select a display mode and monitor your progress with the display.

The Record program will function in the same way as a Cardio program (see step 5 on page 19).

If desired, you can redefine the program while using it. **To change the speed or incline setting for the current segment**, simply press the Speed or Incline buttons. When the current segment ends, the new setting will be saved in memory. **To increase the length of the program**, first wait until the program ends. Then, press the Start button and program speed and incline settings for as many additional segments as desired; Record programs can have up to 30 segments. When you have added as many segments as desired, press the Stop button twice. **To decrease the length of the program**, press the Stop button twice at any time before the program ends.

6 Measure your heart rate if desired.

See step 7 on page 18.

7 Turn on the fan if desired.

See step 8 on page 18.

8 When you are finished exercising, remove the key from the console.

See step 8 on page 20.

HOW TO USE A PULSE PROGRAM

⚠ CAUTION: If you have heart problems, or if you are over 60 years of age and have been inactive, do not use the Pulse programs. If you are taking medication regularly, consult your physician to find whether the medication will affect your exercise heart rate.

Follow the steps below to use a Pulse program.

1 Put on the chest pulse sensor.

Note: You must wear the chest pulse sensor to use a Pulse program.

2 Insert the key into the console.

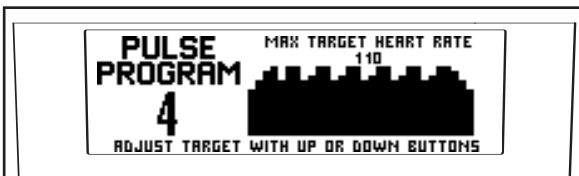
See HOW TO TURN ON THE POWER on page 15.

3 Personalize console settings if desired.

See HOW TO PERSONALIZE CONSOLE SETTINGS on page 15.

4 Select a Pulse program.

To select a Pulse program, press the Cardio button repeatedly until you reach the Pulse programs.



When a Pulse program is selected, the display will show the name of the program and the maximum target heart rate setting of the program. In addition, a profile of the target heart rate settings of the program will appear in the display.

Pulse program 1 is divided into one-minute segments. The same target heart rate setting is programmed for all segments (except for the first two segments). Pulse programs 2, 3, and 4 are divided into 30 one-minute segments. One target heart rate setting is programmed for each seg-

ment. Note: The same target heart rate setting may be programmed for two or more consecutive segments.

5 Adjust the maximum target heart rate setting if desired.

To adjust the maximum target heart rate setting, press the Data Entry increase and decrease buttons beside the Enter button (see EXERCISE INTENSITY on page 33). To adjust the target heart rate setting quickly, hold down one of the buttons.

6 Press the Start button to start the program.

A moment after the button is pressed, the walking belt will begin to move. Hold the handrails and begin walking.

7 Select a display mode and monitor your progress with the display.

When a Pulse program is selected, the console offers two display modes. Press the Display button to select the desired display mode.



Regardless of which display mode you select, a profile of the target heart rate settings of the program will appear in the display. A white line representing your heartbeat will also appear; each time a heartbeat is detected, an additional peak will appear in the line. A small arrow below the profile will indicate your progress.

During each one-minute segment of the program, the console will compare your heart rate to the current target heart rate setting. If your heart rate is too far below or above the target heart rate setting, the speed of the walking belt or the incline of the treadmill will automatically change to bring your heart rate closer to the target heart rate setting. Each time the speed or incline changes, the speed setting and the incline setting will appear at the top of the display for a moment to alert you.

When each segment ends, a series of tones will sound.

If the speed or incline setting for the current segment is too high or too low, you can override the setting by pressing the Speed or Incline buttons; however, when the console compares your heart rate to the current target heart rate setting, the speed or incline of the treadmill may automatically change.

To stop the program at any time, press the Stop button. To restart the program, press the Start button. The walking belt will begin to move at 1 mph. When the console compares your heart rate to the current target heart rate setting, the speed or incline of the treadmill may automatically change.

If Pulse program 1 is selected, the program will continue until you stop it by pressing the Stop but-

ton. If Pulse program 2, 3, or 4 is selected, the program will continue until the small arrow reaches the right end of the profile. The walking belt will then slow to a stop.

8 Turn on the fans if desired.

See step 8 on page 18.

9 When you are finished exercising, remove the key from the console.

See step 8 on page 20.

HOW TO USE AN IFIT CARD

1 Insert the key into the console.

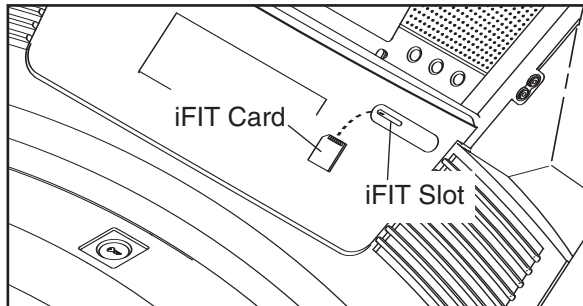
See HOW TO TURN ON THE POWER on page 15.

2 Personalize console settings if desired.

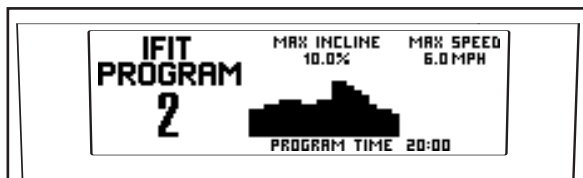
See HOW TO PERSONALIZE CONSOLE SETTINGS on page 15.

3 Insert an iFIT Card and select a program.

To use an iFIT program, insert an iFIT Card into the iFIT slot; make sure that the iFIT Card is oriented so the metal contacts are on top and are inserted into the iFIT slot.



Next, select an iFIT program by pressing the Data Entry increase or decrease button repeatedly. When an iFIT program is selected, the display will show the name of the program, the maximum incline setting and the maximum speed setting of the program, and the program time. In addition, a profile of the speed settings of the program will appear in the display.



Each preset program is divided into several one-minute segments. One speed setting and one incline setting are programmed for each segment. Note: The same speed setting and/or incline setting may be programmed for two or more consecutive segments.

4 Press the Start button to start the program.

A moment after the button is pressed, the treadmill will automatically adjust to the first speed and incline settings of the program. Hold the handrails and begin walking.

5 Select a display mode and monitor your progress with the display and the intensity level bar.

When an iFIT program is selected, the console offers three display modes (see step 6 on page 19). Press the Display button repeatedly to select the desired display mode. **If the first or second display mode is selected**, a profile of the speed settings of the program will appear in the display. A small arrow below the profile will indicate your progress.

During the program, a personal trainer will guide you through the workout. You can adjust the volume by pressing the Volume buttons, or you can select an audio setting for your personal trainer (see step 4 on pages 15 and 16).

If the speed or incline setting for the current segment is too high or too low, you can override the setting by pressing the Speed or Incline buttons; however, when the next segment begins, **the treadmill will automatically adjust to the speed and incline settings for the next segment.**

To stop the program at any time, press the Stop button. To restart the program, press the Start button. The walking belt will begin to move at 1 mph. When the next segment of the program begins, the treadmill will automatically adjust to the speed and incline settings for the next segment.

6 Turn on the fans if desired.

See step 8 on page 18.

7 When you are finished exercising, remove the key from the console.

See step 8 on page 20.

CAUTION: Always remove iFIT Cards from the iFIT slot when you are not using them.

HOW TO OPERATE THE PERSONAL TELEVISION

IMPORTANT: Before operating the television, you must connect an antenna, a 75 ohm CATV cable, or a VCR to the 75 ohm antenna terminal on the treadmill. See page 11 for instructions.

Follow the steps below to operate the television.

1 Insert the key into the console.

See HOW TO TURN ON THE POWER on page 15.

2 Press the Power button to turn on the television.

When the key is inserted, the television will automatically turn on. If you have turned off the television, turn it on by pressing the Power button.

3 Press the Channel buttons to select the desired channel.

When the television is turned on, the screen will show the last channel that was selected. To select a different channel, press the Channel buttons. The selected channel number will appear on the screen for a few seconds. Note: The television is equipped with a channel memorizing function that allows you to go directly from the current channel to the next channel saved in memory. Before channels can be selected in this way, they must be saved in the television's memory. See HOW TO USE THE TV SETTINGS MODE on this page.

4 Press the Volume buttons to adjust the volume.

When either Volume button is pressed, the volume level indicator will appear on the screen for a few seconds. Note: When the iFIT mode is selected, the Volume buttons will control the volume of the audio of the iFIT program.

To use earphones or headphones (not included), plug them into the headphone jack on the console.

5 When you are finished using the television, press the Power button.

Press the Power button to turn off the television. Note: Removing the key from the console will also turn off the television.

HOW TO USE THE TV SETTINGS MODE

The console features a TV settings mode that allows you to adjust the settings of the television and to save channels into the television's memory.

Follow the steps below to use the TV settings mode.

1 Select the TV settings mode.

To select the TV settings mode, first select the settings mode by holding down the Stop button while inserting the key into the console. (The TV settings mode will be selected when you press the Power button in step 2.)

2 Press the Power button to add or delete channels.

After all valid channels available in your area have been saved into the television's memory (see step 4 on the following page), you can manually add channels or delete unwanted channels.

To add or delete a channel, first press the Channel buttons until the desired channel number appears on the screen. Then, press the Volume increase button to add the channel, or the Volume decrease button to delete the channel. Continue this process until you have added all desired channels and deleted all unwanted channels.

3 Press the Power button again and select an antenna connection or a cable connection.

After the Power button is pressed, press the Volume decrease button to select the Air setting, the Volume increase button to select the Standard Cable setting, the Channel decrease button to select the Cable IRC setting, or the Channel increase button to select the Cable HRC setting. Note: The setting that you select will **not** appear on the screen. If you have connected an antenna to the treadmill, the Air setting should be selected. If you have connected a CATV cable, one of the three Cable settings should be selected; try all three Cable settings, if necessary, to find the best setting.

4 Press the Power button again and save channels into the television's memory.

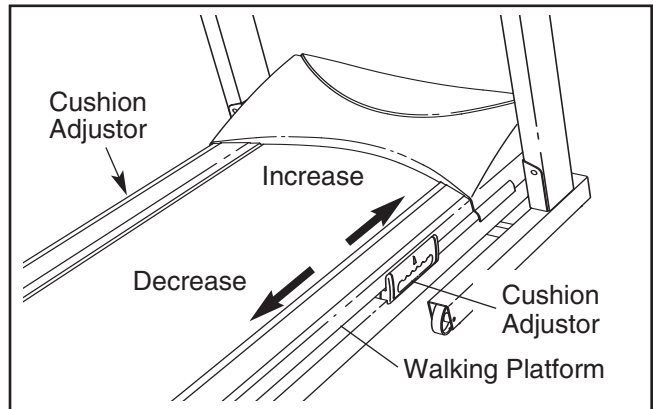
When the Power button is pressed, the television will begin scanning all of the channels available in your area. When no broadcast signal is detected on a channel, the channel will be skipped. When a broadcast signal is detected, the channel will be saved into memory and the next channel will be selected. This process will continue until the highest channel is reached. **Do not remove the key while the television is scanning channels.**

5 When you are finished using the TV settings mode, remove the key.

To exit the TV settings mode at any time (except while the television is scanning channels), remove the key from the console.

HOW TO ADJUST THE CUSHIONING SYSTEM

The treadmill features a cushioning system that reduces the impact as you walk or run on the treadmill. To increase the firmness of the walking platform, step off the treadmill and slide the cushion adjusters toward the front of the treadmill. To decrease the firmness, slide the cushion adjusters toward the back of the treadmill. **Note: Make sure that both adjusters are set at the same firmness level. The faster you run on the treadmill, or the more you weigh, the firmer the walking platform should be.**



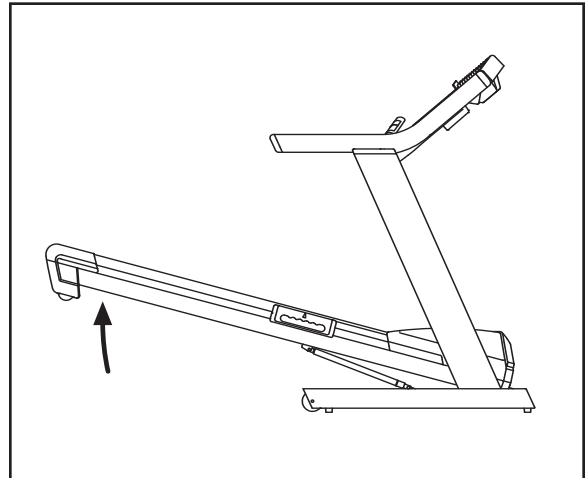
HOW TO FOLD AND MOVE THE TREADMILL

HOW TO FOLD THE TREADMILL FOR STORAGE

Before folding the treadmill, adjust the incline to the lowest position. If this is not done, the treadmill may be permanently damaged. Next, unplug the power cord.

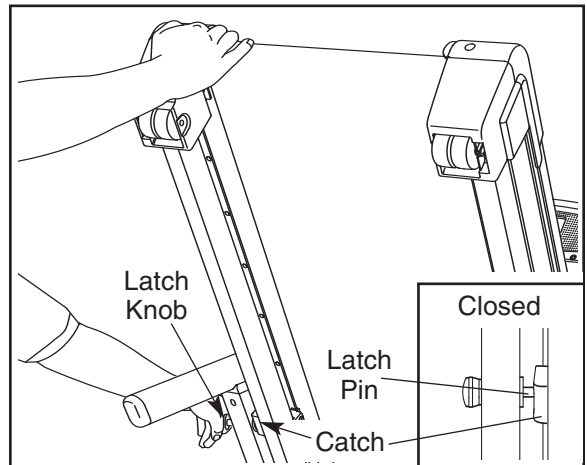
CAUTION: You must be able to safely lift 45 pounds (20 kg) to raise, lower, or move the treadmill.

1. Hold the end of the treadmill near the location indicated by the arrow at the right. **To decrease the possibility of injury, bend your legs and keep your back straight. As you raise the frame, make sure to lift with your legs rather than your back.** Raise the frame about halfway to the vertical position.



2. Move your right hand to the position shown and hold the treadmill firmly. Using your left hand, pull the latch knob to the left and hold it. Raise the treadmill until the catch is aligned with the latch pin. Slowly release the latch knob. **Make sure that the latch pin is fully inserted into the catch.**

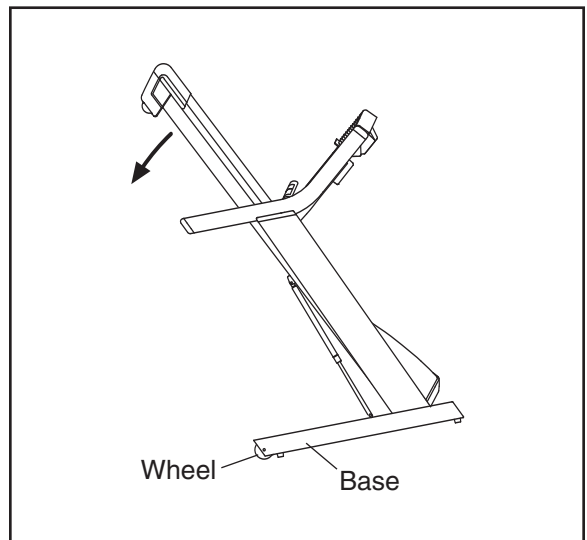
To protect the floor or carpet from damage, place a mat under the treadmill. Keep the treadmill out of direct sunlight. Do not leave the treadmill in the storage position in temperatures above 85° Fahrenheit.



HOW TO MOVE THE TREADMILL

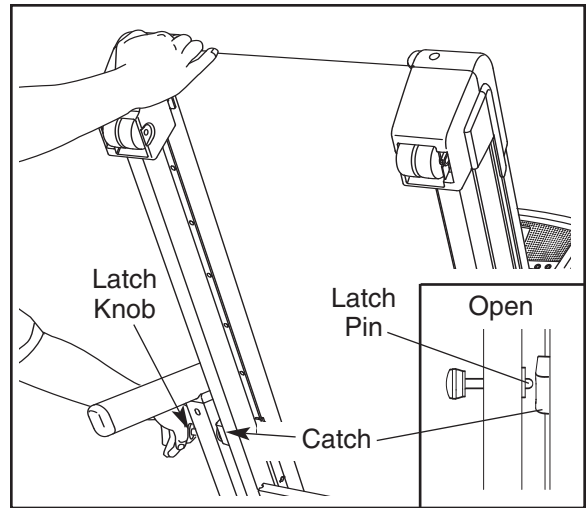
Before moving the treadmill, convert the treadmill to the storage position as described above. **Make sure that the latch pin is fully inserted into the catch.**

1. Hold the treadmill and place one foot against one of the wheels.
2. Tilt the treadmill back until it rolls on the wheels. Carefully move the treadmill to the desired location. **To reduce the risk of injury, use extreme caution while moving the treadmill. Do not attempt to move the treadmill over an uneven surface.**
3. Place one foot against one of the wheels, and carefully lower the treadmill until the base is in the storage position.

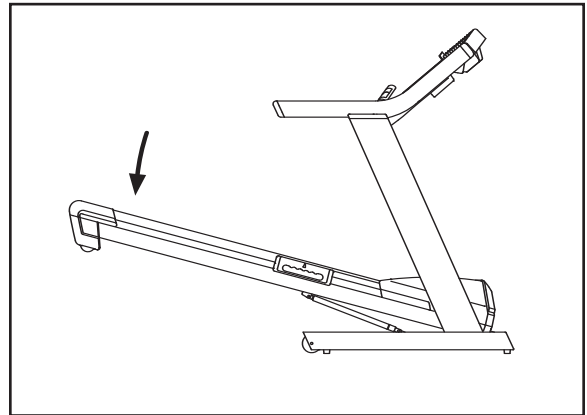


HOW TO LOWER THE TREADMILL FOR USE

1. Hold the upper end of the treadmill with your right hand as shown. Using your left hand, pull the latch knob to the left and hold it. Pivot the frame down until it is past the latch pin. Then, slowly release the latch knob.



2. Hold the frame firmly with both hands, and lower it to the floor. **To decrease the possibility of injury, bend your legs and keep your back straight.**



TROUBLESHOOTING

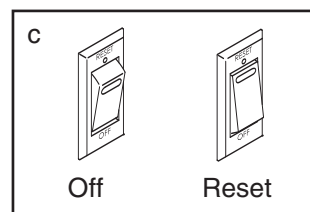
Most treadmill problems can be solved by following the steps below. Find the symptom that applies, and follow the steps listed. If further assistance is needed, please see the front cover of this manual.

PROBLEM: The power does not turn on

SOLUTION: a. Make sure that the power cord is plugged into a surge suppressor, and that the surge suppressor is plugged into a properly grounded outlet (see page 13). Use only a single-outlet surge suppressor that meets all of the specifications described on page 13. Important: The treadmill is not compatible with GFCI-equipped outlets.

b. Make sure that the key is inserted into the console.

c. Check the reset/off circuit breaker located on the frame near the power cord. If the switch protrudes as shown, the circuit breaker has tripped. To reset the circuit breaker, wait for five minutes and then press the switch back in.



PROBLEM: The power turns off during use

SOLUTION: a. Check the reset/off circuit breaker (see 1. c. above). If the circuit breaker has tripped, wait for five minutes and then press the switch back in.

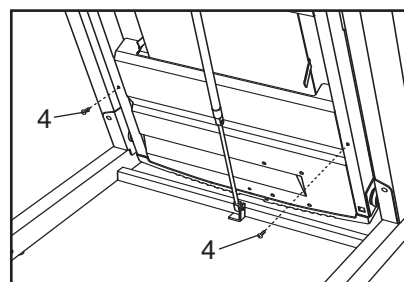
b. Make sure that the power cord is plugged in. If the power cord is plugged in, unplug it, wait for five minutes, and then plug it back in.

c. Remove the key from the console and then reinsert it.

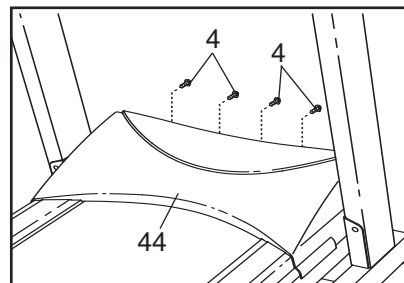
PROBLEM: The displays of the console do not function properly

SOLUTION: a. Remove the key from the console and **UNPLUG THE POWER CORD**. Place the treadmill in the storage position (see HOW TO FOLD AND MOVE THE TREADMILL on page 28).

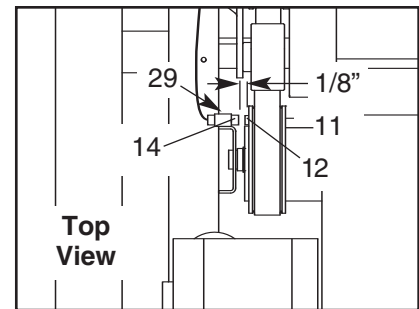
Next, remove the two indicated 3/4" Screws (4).



Lower the treadmill (see HOW TO LOWER THE TREADMILL FOR USE on page 29). Remove the four indicated 3/4" Screws (4), and remove the Hood (44).



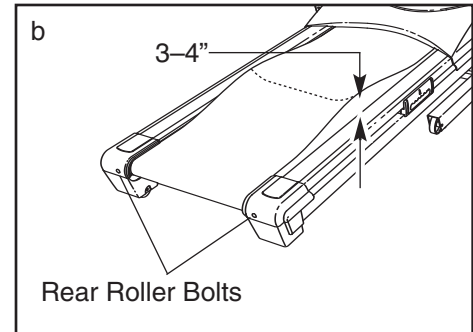
Next, locate the Reed Switch (14) and the Magnet (12) on the left side of the Pulley (11). Turn the Pulley until the Magnet is aligned with the Reed Switch. **Make sure that the gap between the Magnet and the Reed Switch is about 1/8"**. If necessary, loosen the indicated Screw (29), move the Reed Switch slightly, and then retighten the Screw. Reattach the hood and run the treadmill for a few minutes to check for a correct speed reading.



PROBLEM: The walking belt slows when walked on

SOLUTION: a. Use only a single-outlet surge suppressor that meets all of the specifications described on page 13.

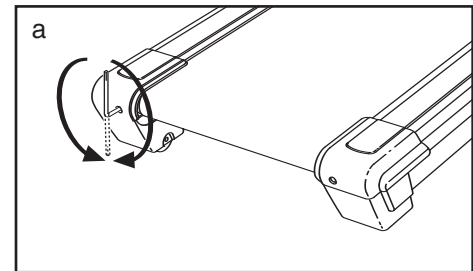
b. If the walking belt is overtightened, treadmill performance may decrease and the walking belt may be permanently damaged. Remove the key and **UNPLUG THE POWER CORD**. Using the included allen wrench, turn both rear roller adjustment bolts counterclockwise 1/4 of a turn. When the walking belt is properly tightened, you should be able to lift each edge of the walking belt 3 to 4 inches off the walking platform. Be careful to keep the walking belt centered. Then, plug in the power cord, insert the key, and run the treadmill for a few minutes. Repeat until the walking belt is properly tightened.



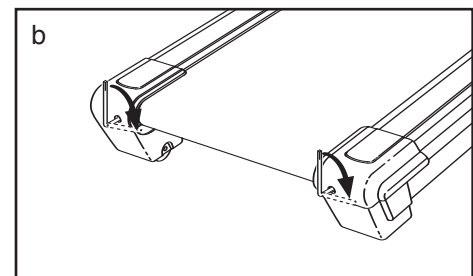
c. If the walking belt still slows when walked on, please see the front cover of this manual.

PROBLEM: The walking belt is off-center or slips when walked on

SOLUTION: a. If the walking belt is off-center, first remove the key and **UNPLUG THE POWER CORD**. **If the walking belt has shifted to the left**, use the allen wrench to turn the left rear roller bolt clockwise 1/2 of a turn; **if the walking belt has shifted to the right**, turn the bolt counterclockwise 1/2 of a turn. Be careful not to overtighten the walking belt. Then, plug in the power cord, insert the key, and run the treadmill for a few minutes. Repeat until the walking belt is centered.



b. If the walking belt slips when walked on, first remove the key and **UNPLUG THE POWER CORD**. Using the allen wrench, turn both rear roller bolts clockwise 1/4 of a turn. When the walking belt is correctly tightened, you should be able to lift each edge of the walking belt 3 to 4 inches off the walking platform. Be careful to keep the walking belt centered. Then, plug in the power cord, insert the key, and walk on the treadmill for a few minutes. Repeat until the walking belt is properly tightened.



PROBLEM: The incline of the treadmill does not change correctly

SOLUTION: a. With the key in the console, press one of the Incline buttons. **While the incline is changing, remove the key.** After a few seconds, re-insert the key. The treadmill will automatically rise to the maximum incline level and then return to the minimum level. This will recalibrate the incline system.

PROBLEM: Television reception is poor

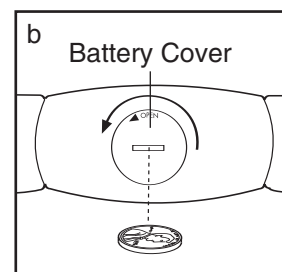
- SOLUTION:** a. For the television to operate properly, good reception is necessary. If you are using an antenna, make sure that it is properly connected and adjusted for optimal reception. (See HOW TO CONNECT AN ANTENNA on page 11.)
- b. Check for the problems listed below and follow the applicable instructions.
- Ignition (black spots or horizontal streaks that appear on a picture that flutters or drifts)—Usually this is caused by interference from automobile ignition systems, neon lamps, electric drifts, or other electric appliances. Try changing the position of the treadmill or other electric appliances to correct the problem.
 - Ghosts—Ghosts are caused by the television signal following two paths—one is the direct path and the other is reflected from tall buildings, hills, or other objects. Change the direction or position of the antenna to improve reception.
 - Blue Screen—If the treadmill is located in the fringe area of a television station where the signal is weak, the picture may be of poor quality or a blue screen may appear. If the signal is weak, it may be necessary to install an external antenna to improve the picture.

Note: If one of these symptoms appears when the cable from a CATV company is connected, the symptom may be caused by the local company broadcast.

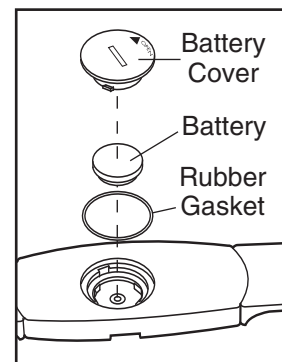
PROBLEM: The chest pulse sensor does not function properly

SOLUTION: a. If the chest pulse sensor does not function properly, see CHEST PULSE SENSOR TROUBLESHOOTING on page 12.

- b. If the chest pulse sensor still does not function properly, the battery should be changed. To replace the battery, locate the battery cover on the back of the sensor unit. Insert a coin into the slot in the cover and turn the cover counterclockwise to the “open” position. Remove the cover.



Remove the old battery from the sensor unit. Insert a new **CR 2032 battery**, making sure that the writing is on top. In addition, make sure that the rubber gasket is in place in the sensor unit. Replace the battery cover and turn it to the closed position.



EXERCISE GUIDELINES

⚠️ WARNING: Before beginning this or any exercise program, consult your physician. This is especially important for individuals over the age of 35 or individuals with pre-existing health problems.

The pulse sensor is not a medical device. Various factors, including the user's movement, may affect the accuracy of heart rate readings. The pulse sensor is intended only as an exercise aid in determining heart rate trends in general.

The following guidelines will help you to plan your exercise program. For more detailed exercise information, obtain a reputable book or consult your physician.

EXERCISE INTENSITY

Whether your goal is to burn fat or to strengthen your cardiovascular system, the key to achieving the desired results is to exercise with the proper intensity. The proper intensity level can be found by using your heart rate as a guide. The chart below shows recommended heart rates for fat burning and aerobic exercise.

HEART RATE TRAINING ZONES							
AEROBIC	165	155	145	140	130	125	115
MAX FAT BURN	145	138	130	125	118	110	103
FAT BURN	125	120	115	110	105	95	90
Age	20	30	40	50	60	70	80

To find the proper heart rate for you, first find your age near the bottom of the chart (ages are rounded off to the nearest ten years). Next, find the three numbers above your age. The three numbers define your “training zone.” The lower two numbers are recommended heart rates for fat burning; the highest number is the recommended heart rate for aerobic exercise.

Fat Burning

To burn fat effectively, you must exercise at a relatively low intensity level for a sustained period of time. During the first few minutes of exercise, your body uses easily accessible *carbohydrate calories* for energy. Only after the first few minutes does your body

begin to use stored *fat calories* for energy. If your goal is to burn fat, adjust the speed or incline of the treadmill until your heart rate is near the lowest number in your training zone.

For maximum fat burning, adjust the speed or incline of the treadmill until your heart rate is near the middle number in your training zone.

Aerobic Exercise

If your goal is to strengthen your cardiovascular system, your exercise must be “aerobic.” Aerobic exercise is activity that requires large amounts of oxygen for prolonged periods of time. This increases the demand on the heart to pump blood to the muscles, and on the lungs to oxygenate the blood. For aerobic exercise, adjust the speed or incline of the treadmill until your heart rate is near the highest number in your training zone.

WORKOUT GUIDELINES

Each workout should include the following three parts:

A Warm-up—Start each workout with 5 to 10 minutes of stretching and light exercise. A proper warm-up increases your body temperature, heart rate and circulation in preparation for exercise.

Training Zone Exercise—After warming up, increase the intensity of your exercise until your pulse is in your training zone for 20 to 60 minutes. (During the first few weeks of your exercise program, do not keep your pulse in your training zone for longer than 20 minutes.) Breathe regularly and deeply as you exercise—never hold your breath.

A Cool-down—Finish each workout with 5 to 10 minutes of stretching to cool down. This will increase the flexibility of your muscles and will help prevent post-exercise problems.

EXERCISE FREQUENCY

To maintain or improve your condition, complete three workouts each week, with at least one day of rest between workouts. After a few months, you may complete up to five workouts each week if desired. The key to success is to make exercise a regular and enjoyable part of your everyday life.

PART LIST—Model No. NTL21905.1

R0407A

To locate the parts listed below, see the EXPLODED DRAWING attached in the center of this manual.

Key No.	Qty.	Description	Key No.	Qty.	Description
1	2	Foot Rail Cover	51	1	Right Rear Foot
2	2	Foot Rail	52	4	Rear Wheel
3	2	Platform Cushion	53	2	Rear Wheel Bolt
4	56	3/4" Screw	54	1	Right Rear Endcap
5	1	Catch	55	2	Rear Roller Washer
6	1	Walking Platform	56	2	Rear Roller Adj. Bolt
7	2	Belt Guide	57	1	Allen Wrench
8	4	Belt Guide Screw	58	1	Left Rear Foot
9	2	Front Isolator	59	1	Left Rear Endcap
10	2	Platform Bolt, Front	60	1	Rear Roller
11	1	Front Roller/Pulley	61	2	Platform Nut
12	1	Magnet	62	2	Platform Bolt, Rear
13	1	Right Cushion Adjustor	63	1	Hood Cover
14	1	Reed Switch Clip	64	6	Handrail Bolt
15	2	Incline Rod Bushing	65	1	Console Base
16	2	Lift Arm	66	1	Console
17	2	Lift Pivot Bolt	67	1	TV Console
18	2	Hood Mount	68	1	Static Decal
19	2	Lift Arm Spacer	69	9	Electronics Screw
20	1	Reed Switch Wire	70	1	Access Door
21	1	Idler Wheel Nut	71	6	Upright Star Washer
22	1	Idler Wheel	72	6	Upright Bolt
23	1	Idler Wheel Bolt	73	1	Left Upright
24	1	Lift Motor Bolt, Bottom	74	1	Right Upright
25	1	Idler Arm Spacer	75	1	Upright Wire
26	1	Idler Arm	76	6	Cage Nut
27	1	Idler Arm Spring	77	1	Reset/Off Circuit Breaker
28	1	Motor Belt	78	6	Washer
29	4	Reed Switch Screw	79	2	Endcap Screw
30	2	Lift Pivot Bolt	80	2	Base Endcap
31	1	Drive Motor	81	4	Base Pad
32	2	Motor Bolt	82	4	1" Tek Screw
33	4	Electronics Bracket Nut	83	1	Base
34	1	Electronics Bracket	84	4	Electronics Bracket Washer
35	1	Front Endcap	85	2	Wheel Bolt
36	1	Controller	86	2	Wheel
37	1	Incline Rod	87	3	Warning Decal
38	9	Nut	88	1	Gas Spring
39	1	Lift Motor	89	1	Key/Clip
40	1	Lift Motor Bolt, Top	90	6	Handrail Star Washer
41	3	1/2" Outlet Screw	91	1	Releaseable Tie
42	1	Left Cushion Adjustor	92	2	Tie Clamp
43	1	Power Cord Assembly	93	16	8" Plastic Tie
44	1	Hood	94	2	Handrail Endcap, Bottom
45	4	Hood Clip	95	2	Handrail Spacer
46	4	Grommet	96	1	Latch Sleeve
47	1	Walking Belt	97	1	Handrail Endcap, Top
48	1	Frame	98	1	Ground Nut
49	16	Cushion Track Screw	99	1	Handrail
50	1	Transformer	100	1	Latch Assembly

Key No.	Qty.	Description	Key No.	Qty.	Description
101	1	Latch Warning Decal	114	1	Pulse Receiver
102	1	Spring Pin Kit	115	2	Pulse Receiver Screw
103	1	Filter Wire	116	1	iFIT Wire
104	1	Idler Arm Bolt	117	1	Cable Ground Wire
105	1	iFIT Card Kit	118	3	Console Ground Wire
106	1	Incline/Controller Wire	119	2	Console Fan
107	1	Incline Stop Bracket	120	1	Console Lens
108	1	Stop Bracket Spacer	#	1	8" Black Wire, M/F
109	4	7.5" Plastic Tie	#	1	6" Black Wire, M/F
110	1	TV Cable	#	1	8" Blue Wire, 2 F
111	2	TV Cable Nut	#	1	User's Manual
112	1	Chest Pulse Sensor			
113	1	Chest Pulse Strap			

#These parts are not illustrated

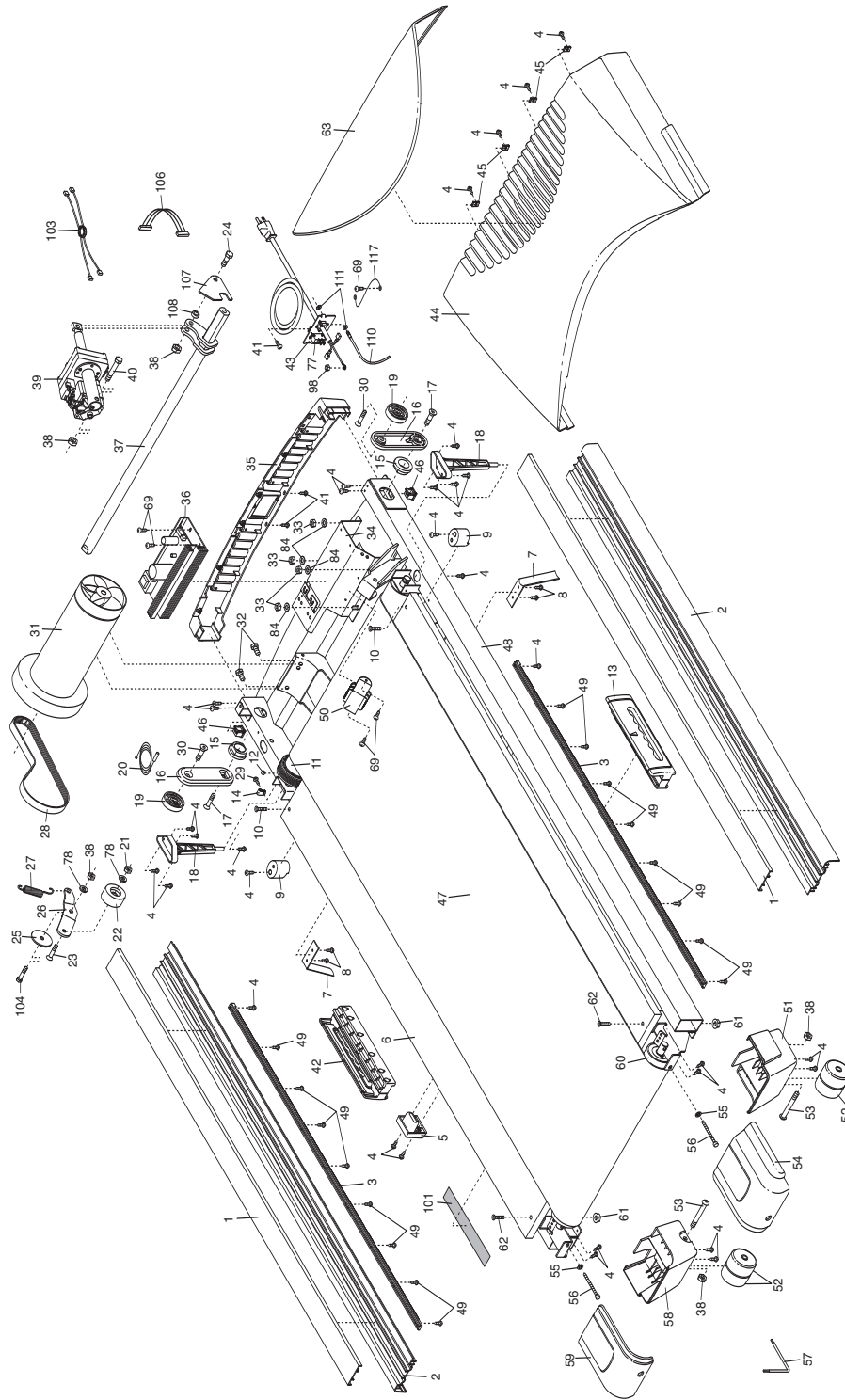
HOW TO ORDER REPLACEMENT PARTS

To order replacement parts, please see the front cover of this manual. When ordering parts, be prepared to give the following information:

- the MODEL NUMBER OF THE PRODUCT (NTL21905.1)
- the NAME OF THE PRODUCT (NordicTrack ELITE 3200 treadmill)
- the SERIAL NUMBER OF THE PRODUCT (see the front cover of this manual)
- the KEY NUMBER AND DESCRIPTION OF THE PART(S) (see the PART LIST on pages 34 and 35 and the EXPLODED DRAWING attached in the center of this manual)

EXPLODED DRAWING—Model No. NTL21905.1

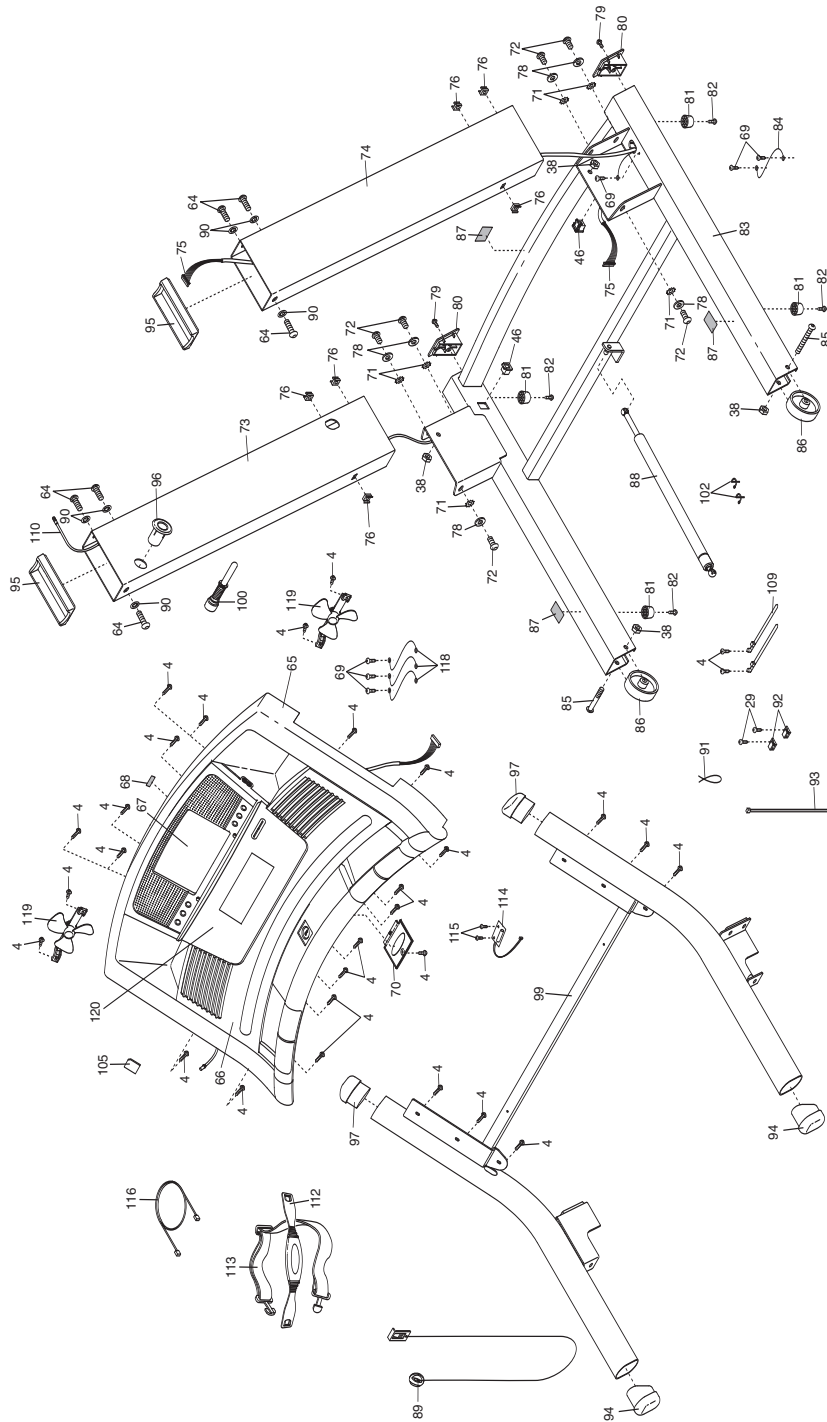
R0407A



To identify the parts shown on this EXPLODED DRAWING, see the PART LIST on pages 34 and 35.

EXPLODED DRAWING—Model No. NTL21905.1

R0407A



LIMITED WARRANTY

WHAT IS COVERED—The entire NordicTrack ELITE 3200 treadmill (“Product”) is warranted to be free of all defects in material and workmanship.

WHO IS COVERED—The original purchaser or any person receiving the Product as a gift from the original purchaser.

HOW LONG IS IT COVERED—ICON Health & Fitness, Inc. (“ICON”) warrants the drive motor for life. Parts and labor are warranted for one year from the date of purchase.

WHAT WE DO TO CORRECT COVERED DEFECTS—We will ship to you, without charge, any replacement part or component, providing the repairs are authorized by ICON first and are performed by an ICON trained and authorized service provider, or, at our option, we will replace the Product.

WHAT IS NOT COVERED—Any failures or damage caused by unauthorized service, misuse, accident, negligence, improper assembly or installation, alterations, modifications without our written authorization or by failure on your part to use, operate, and maintain as set out in your User’s Manual (“Manual”). This warranty does not extend to products used for commercial or rental purposes.

WHAT YOU MUST DO—Always retain proof of purchase, such as your bill of sale; store, operate, and maintain the Product as specified in the Manual; notify our Customer Service Department of any defect within 10 days after discovery of the defect; as instructed, return any defected part for replacement or, if necessary, the entire product, for repair.

USER’S MANUAL—It is VERY IMPORTANT THAT YOU READ THE MANUAL before operating the Product. Remember to do the periodic maintenance requirements specified in the Manual to assure proper operation and your continued satisfaction.

HOW TO GET PARTS AND SERVICE—Simply call our Customer Service Department at 1-888-825-2588 and tell them your name and address and the serial number of your Product. They will tell you how to get a part replaced, or if necessary, arrange for service where your Product is located or advise you how to ship the Product for service. Before shipping, always obtain a Return Authorization Number (RA No.) from our Customer Service Department; securely pack your Product (save the original shipping carton if possible); put the RA No. on the outside of the carton and insure the product. Include a letter explaining the product or problem and a copy of your proof of purchase if you believe the service is covered by warranty.

ICON is not responsible or liable for indirect, special or consequential damages arising out of or in connection with the use or performance of the product or damages with respect to any economic loss, loss of property, loss of revenues or profits, loss of enjoyment or use, costs of removal, installation or other consequential damages of whatsoever nature. Some states do not allow the exclusion or limitation of incidental or consequential damages. Accordingly, the above limitation may not apply to you.

The warranty extended hereunder is in lieu of any and all other warranties and any implied warranties of merchantability or fitness for a particular purpose is limited in its scope and duration to the terms set forth herein. Some states do not allow limitations on how long an implied warranty lasts. Accordingly, the above limitation may not apply to you.

No one is authorized to change, modify or extend the terms of this limited warranty.

This warranty gives you specific legal rights and you may have other rights which vary from state to state.

ICON HEALTH & FITNESS, INC., 1500 S. 1000 W., LOGAN, UT 84321-9813